



AUTO METAL DIRECT

Our Name Says It All!™

**PLYMOUTH & DODGE
BODY PANELS**

\$5.00



B-Body



E-Body



A-Body

2009



MOPAR, JEEP, DODGE, HEMI, PLYMOUTH, and CHRYSLER are trademarks of Chrysler LLC used under license to Auto Metal Direct, LLC. © Chrysler LLC 2009

CHECK OUT THESE HOT NEW PARTS!

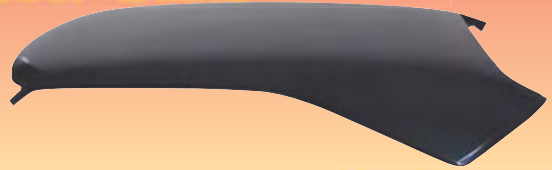
ROAD RUNNER HOOD INSERTS



See Page 7

Be sure to ask about hood & insert package discounts.

CHARGER & B-BODY ROOF SKINS



See Page 10

CHARGER DECK LID



See Page 14

CORNET QUARTER PANELS



See Page 11

A-BODY FULL FLOOR



See Page 32

CHARGER DOOR SHELLS



See Page 9

DUSTER & DEMON QUARTER PANELS



See Page 33

WINDOW REGULATORS

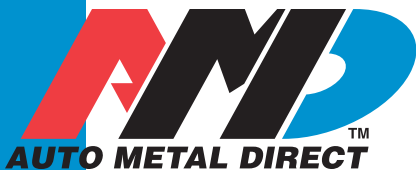


B-Body: Page 10
E-Body: Page 24

B-BODY WINDSHIELD MOLDING SET



See Page 16





Our Name Says It All!™

www.autometaldirect.com



Welcome to Auto Metal Direct () — your one stop source for the highest quality Chrysler body panels on the market.

Our staff has extensive experience in the collector car / restoration trade and will be happy to assist you. Check out our extensive inventory and let us help you get your car back in top condition!

 , Auto Metal Direct, and our slogan ("Our Name Says it All[™]") are registered trademarks and cannot be duplicated or reproduced without written permission. All pictures and information contained in this catalog are property of .



MOPAR, DODGE, HEMI, PLYMOUTH, & CHRYSLER are registered trademarks of Chrysler LLC used under license to Auto Metal Direct, LLC. Chrysler LLC 2009 Logos and trademarks of various manufacturers are used under license by  and our suppliers. Any descriptions bearing trademarked names are for application reference only.

Hours

Monday – Friday

9:00 am – 6:00 pm EST

Toll Free Order Line

(866) 591-8309

Q&A Line

(770) 967-0909

Fax

(770) 692-6360

Email

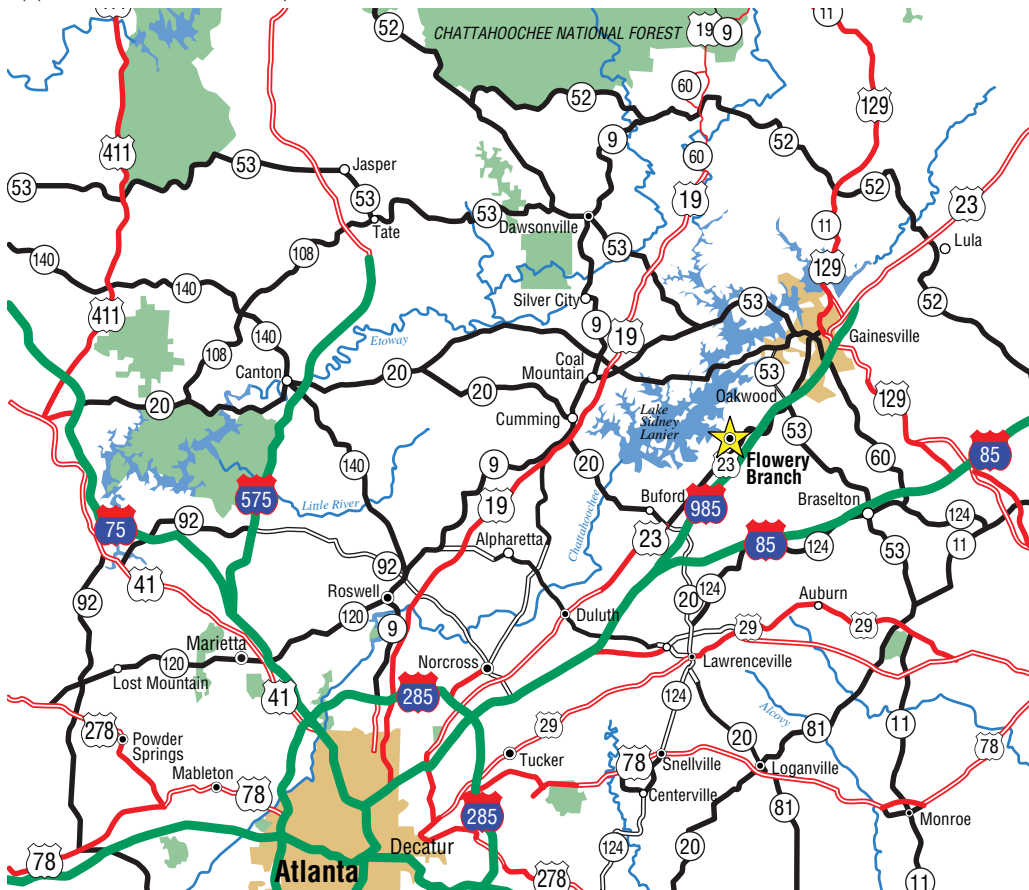
sales@autometaldirect.com

Address

5322 Rafe Banks Drive, Unit H,
Flowery Branch, GA 30542

Website

www.autometaldirect.com



Directions

FROM ATLANTA:

Take I-85 North toward Greenville. Keep left to merge onto I-985 North via Exit 113 towards Gainesville. Exit I-985 North via Exit 12 which is Spout Springs Road. Take a left onto Spout Springs Road. Next, turn right onto Thurman Tanner Parkway (approximately 1/4 mile from the expressway). Stay on Thurman Tanner Pkwy for approximately 2.2 miles. Turn left onto H.F. Reed Industrial Parkway. Stay straight for approximately 1 mile and go straight thru first stop sign. Our building is the first building on the right.



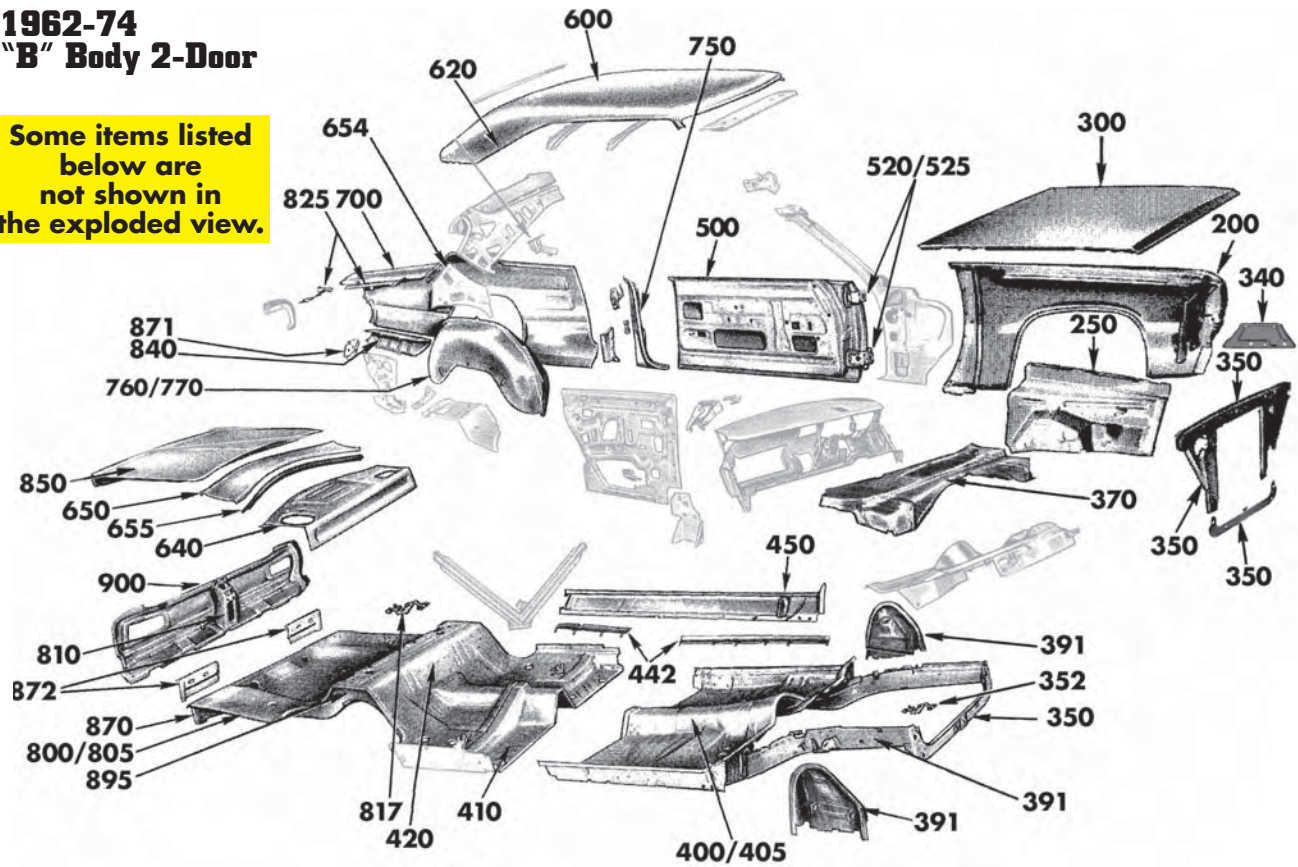
5322-H Rafe Banks Drive
Flowery Branch, GA 30542

(866) 591-8309

"B" BODY

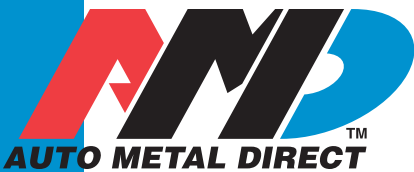
1962-74 "B" Body 2-Door

Some items listed below are not shown in the exploded view.



#	Part Description	Page #
100	Front Bumper.....	5
101	Bumper Bolt Set.....	5
105	Front Bumper Bracket Set.....	6
106	Front Stabilizer Bracket (Corner of Bumper).....	6
120	Front Bumper Shield, Lower.....	6
125	Front Valance.....	6
130	Lower Grille Panel.....	6
200	Front Fender, OE Style.....	6
220	Front Fender Brace.....	6
250	Front Inner Fender, OE Style.....	7
251	Fender Rear Splash Shield.....	7
255	Front Inner Fender Cover/Plate.....	7
260	Inner Fender to Cowl Bracket, Upper.....	7
300	Hood.....	7
320	Hood Inserts.....	7
340	Battery Tray.....	7
350	Radiator Support.....	8
352	K Member to Radiator Support Brace.....	8
353	Inner Fender Splash Shield.....	8
370	Upper Cowl.....	8
385	Windshield Molding Set.....	16
391	Front Frame Rail.....	8
395	Torsion Bar Crossmember.....	8
400	Front Floor Pan, OE Style.....	8
405	Front Floor Pan Halves.....	8
410	Rear Floor Pan/Footwell Area, OE Style.....	8
415	Four Speed Shifter Tunnel.....	9
420	Rear Floor Pan/Under Rear Seat.....	9
425	Main Floor Pan Supports.....	9
441	Emergency Cable Bracket.....	9
442	Floor Wiring Cover.....	9
450	Rocker Panels.....	9
490	Console Bracket Set.....	9
500	Door Shell, OE Style.....	9
520	Door Hinge, Upper.....	10
525	Door Hinge, Lower.....	10
545	Window Regulator.....	10
600	Roof Skin, OE Style.....	10

#	Part Description	Page #
620	Drip Rail, Pair.....	10
640	Package Tray.....	10
650	Deck Filler Panel.....	10
654	Deck Filler Patch.....	10
655	Lower Rear Window Frame.....	10
656	Deck Filler Panel Lower Plenum.....	11
670	Rear Windshield Molding Set.....	17
700	Quarter Panel, OE Style.....	11
750	Door Jamb Pillar.....	11
760	Inner Wheelhouse.....	12
761	Wheelhouse Vapor Canister Shield.....	12
770	Outer Wheelhouse.....	12
776	Quarter Panel Lower Rear Corner.....	12
800	Trunk Floor.....	12
805	Trunk Floor Halves.....	12
810	Trunk Lock Support.....	13
816	Spare Tire Stud, Wing Nut, Hardware Set.....	13
817	Spare Tire Hold Down Bracket.....	13
818	Jack Bracket.....	13
820	Trunk Floor Brace.....	14
825	Trunk Gutter.....	14
840	Trunk Floor Extension.....	14
841	Trunk Floor Extension End Cap.....	14
850	Deck Lid.....	14
860	Upper Rear Crossmember (Shock Mount).....	14
865	Rear Leaf Spring Mount.....	14
870	Rear Crossmember.....	15
871	Rear Crossmember Extension.....	15
872	Quarter Panel Inner Reinforcement.....	15
895	Rear Frame Rail, OE Style.....	15
900	Taillight Panel.....	15
920	Taillight Panel Reinforcement Brackets.....	15
960	Rear Valance.....	15
962	Trunk Floor to Valance Reinforcement.....	15
970	Rear Bumper Bracket Set.....	16
990	Rear Bumper.....	16
499	Complete Glass Kits.....	16
380	Windshield.....	16
550	Door Glass.....	17
560	Vent Glass.....	17
795	Quarter Glass.....	17
796	Quarter Glass Latch Assembly.....	17
660	Back Glass.....	17
670	Rear Window Molding Set.....	17



Our Name Says It All!™

www.autometaldirect.com

"B" BODY

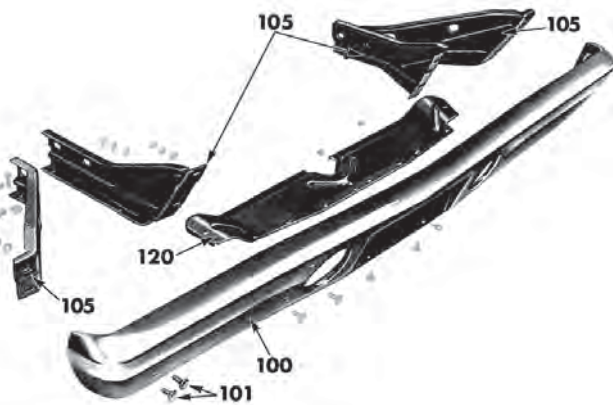
The front-line soldiers for both Dodge and Plymouth during the muscle car wars were often B-Bodies. Back in the day, whenever you heard the unmistakable rumble of a big-block Mopar engine on the road, there was a very good chance it would be a Charger, Roadrunner, Super Bee, GTX, or Coronet RT.

Today muscle car enthusiasts worship these special cars (as you often see reflected in prices on the auction block!), but for many years it has been tough to find good quality body parts. Here at Auto Metal Direct we REALLY know these cars inside and out. Check out the parts on the following pages!

Dodge
330/440
Charger
Coronet
Super Bee

Plymouth
Belvedere
GTX
Road Runner
Satellite

LH = Driver Side
RH = Passenger Side



Our bumper brackets have pentastars and part numbers like original.

100) Front Bumper

CHARGER		PART #	PRICE
YEAR	MODEL		
68-69	includes Bumperettes	100-2668	359.95

68-69	Front/Rear Set, includes Bumperettes	100-2668-S	689.95
-------	--	------------	--------

ROAD RUNNER			
YEAR	MODEL		
68-69	100-1468	399.95
1968	Front/Rear Set.....	100-1468-S	789.95
1969	Front/Rear Set.....	100-1469-S	789.95

101) Bumper Bolt Sets

(Bolt, Flat & Lock Washers, Nut)

16-piece set.....	101-1000-16S	9.95
24-piece set.....	101-1000-24S	12.95
32-piece set.....	101-1000-32S	14.95



MOPAR, JEEP, DODGE, HEMI, PLYMOUTH, and CHRYSLER are trademarks of Chrysler LLC used under license to Auto Metal Direct, LLC. © Chrysler LLC 2009

5322-H Rafe Banks Drive
Flowery Branch, GA 30542

(866) 591-8309

105) Front Bumper Bracket Set



CHARGER

68-69	Front, 4 pieces	105-2668-S	149.95
68-69	Front/Rear/Center/ Outer set, 9 pieces (pictured above).....	105-2668-1S	329.95



68-69	(center bar)	105-2668-2	79.95
-------	--------------------	------------	-------

CORONET

68-69	Front set, 4 pieces.....	105-2468-S	149.95
68-69	Front/Rear set, 6 pieces	105-2468-1S	259.95

ROAD RUNNER

68-69	Front set, 4 pieces.....	105-1468-S	149.95
68-69	Front/Rear set, 6 pieces	105-1468-1S	259.95
1970	Front set, 4 pieces.....	105-1470-S	149.95
1970	Front/Rear set, 6 pieces	105-1470-1S	259.95

106) Front Stabilizer Bracket (Corner of Bumper)

68-69	Charger	106-2668-S	19.95
-------	---------------	------------	-------



120) Front Bumper Shield, Lower (below bumper between bumper brackets)

68-69	Coronet	120-2468	99.95
-------	---------------	----------	-------



68-69	Road Runner	120-1468	99.95
-------	-------------------	----------	-------



1970	Road Runner	120-1470	99.95
------	-------------------	----------	-------

125) Front Valance

CHARGER

68-69	125-2668	229.95
-------	-------	----------	--------



1970	125-2670	299.95
------	-------	----------	--------



71-72	125-2671	249.95
73-74	125-2673	249.95

125) Front Valance, continued

ROAD RUNNER



YEAR	MODEL	PART #	PRICE
71-72	125-1471	349.95

130) Lower Grille Panel



68-69	Road Runner	130-1468	129.95
-------	-------------------	----------	--------

200) Front Fender, OE Style



CHARGER

1968	LH.....	200-2668-L	699.95
1968	RH.....	200-2668-R	699.95
1969	LH (pictured).....	200-2669-L	699.95
1969	RH.....	200-2669-R	699.95



ROAD RUNNER

1968	LH.....	200-1468-L	699.95
1968	RH.....	200-1468-R	699.95
1969	LH (pictured).....	200-1469-L	699.95
1969	RH.....	200-1469-R	699.95

220) Front Fender Brace



68-69	except Charger, Pair	220-1468-P	29.95
-------	----------------------------	------------	-------



250) Front Inner Fender, OE Style



YEAR	MODEL	PART #	PRICE
66-70	LH.....	250-1466-L	209.95
66-70	RH.....	250-1466-R	209.95
66-70	Pair (pictured).....	250-1466-P	399.95



1971	LH.....	250-1570-L	209.95
1971	RH.....	250-1570-R	209.95
1971	Pair (pictured).....	250-1570-P	399.95
1972	LH.....	250-1572-L	209.95
1972	RH.....	250-1572-R	209.95
1972	Pair.....	250-1572-P	399.95
73-74	can use 1972 with minor modifications		

251) Fender Rear Splash Shields

68-70	Dodge, Pair (pictured).....	251-2468-P	179.95
68-70	Plymouth, Pair.....	251-1468-P	179.95



255) Front Inner Fender Cover/Plate

66-70	Pair (pictured).....	255-1466-P	19.95
71-72	Pair.....	255-1570-P	19.95

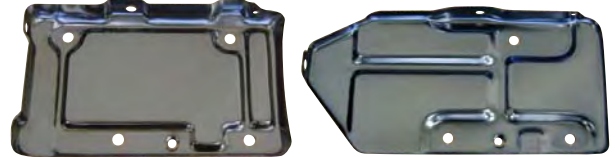
260) Inner Fender to Cowl Bracket, Upper

Use when replacing inner fender or cowl

66-70	LH.....	260-1466-L	49.95
66-70	RH (pictured).....	260-1466-R	49.95
66-70	Pair.....	260-1466-P	89.95



340) Battery Tray



62-65	Correct reproduction, includes bracket.....	340-1462	39.95
66-69	Correct reproduction, includes brackets (pictured, left).....	340-1466	29.95
70-72	(pictured, right).....	340-1570	29.95
73-74	340-1473	29.95

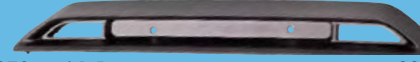
320) Hood Inserts

ROAD RUNNER / GTX

1969 Standard Version, (with die cast base, ribbed top, gaskets, and mounting nuts) set of 2.....



320-1469-S 329.95



1970 without Lamp..... 320-1470-1 INQUIRE

1970 with Lamp..... 320-1470-2 INQUIRE

Replace the rusted, bent, or missing original Hood on your Charger, Roadrunner, GTX, or Satellite, with these beautiful brand-new top-quality reproduction Hoods from craftsmen who really know Dodge and Plymouth muscle car sheet metal.

HOODS

A brand new Steel Hood is the only way to go!

Eliminate the rust, dents, body-filler, and hood scoop holes found in old worn B-Body hoods with a brand new steel factory-style Hood from Auto Metal Direct. All underside bracing and brackets are faithful reproductions of originals, and are manufactured on our own steel tools. Fully coated with EDP, these gorgeous hoods will look great on your car for a very long time.

300) Hoods

CHARGER

68-69 (pictured, above)..... 300-2668 699.95

ROAD RUNNER

1968	Road Runner/GTX, fits some 1968, INQUIRE for fitment.....	300-1468-A	699.95
68-69	Road Runner/GTX (pictured, center).....	300-1468	699.95
1970	Standard, with pin holes.....	300-1470-1H	699.95
1970	without pin holes.....	300-1470-1	699.95
1970	Fresh Air with pin holes (pictured, below).....	300-1470-2H	849.95
1970	Fresh Air without pin holes.....	300-1470-2	849.95

Fresh Air versions include air grabber door



RECEIVE a 50% DISCOUNT on the price of hood inserts when purchased with a new hood.



MOPAR, JEEP, DODGE, HEMI, PLYMOUTH, and CHRYSLER are trademarks of Chrysler LLC used under license to Auto Metal Direct, LLC. © Chrysler LLC 2009

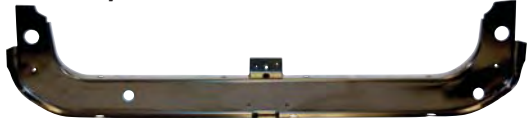
5322-H Rafe Banks Drive
Flowery Branch, GA 30542

(866) 591-8309

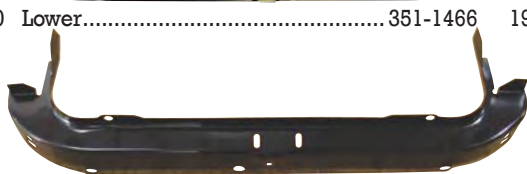
350) Radiator Support



YEAR	MODEL	PART #	PRICE
66-68	Assembly (pictured)	350-1466	349.95
69-70	Assembly	350-1469	349.95
71-72	Assembly	350-1570-S	349.95



66-70	Lower	351-1466	199.95
-------	-------	----------	--------



71-72	Lower	351-1570	199.95
-------	-------	----------	--------

352) K Member to Radiator Support Brace

66-70		352-1466	29.95
-------	--	----------	-------



353) Inner Fender Splash Shield

(screws to valance panel and front fender)



68-69	Charger, Pair	353-2668-S	99.95
-------	---------------	------------	-------

370) Upper Cowl



66-70		370-1468	INQUIRE
-------	--	----------	---------

385) Windshield Moulding Set - see page 16

391) Front Frame Rail



66-70	LH	391-1466L	INQUIRE
66-70	RH	391-1466R	INQUIRE

395) Torsion Bar Crossmember



66-70		395-1466	399.95
71-74		395-1571	399.95

400) Front Floor Pan, OE Style

(Complete coverage like original)



YEAR	MODEL	PART #	PRICE
66-70	Comes with fasteners and brackets for speedometer cable, emergency brake cable & seat belts	400-1466	499.95



71-72	Comes with fastener for speedometer cable	400-1571	499.95
-------	---	----------	--------

405) Front Floor Pan Halves

(Does not include top area of transmission tunnel)



66-70	LH	405-1466-L	199.95
66-70	RH	405-1466-R	199.95
71-73	LH	405-1571-L	199.95
71-73	RH	405-1571-R	199.95

410) Rear Floor Pan/Footwell Area, OE Style



68-70	LH	410-1466-L	129.95
68-70	RH	410-1466-R	129.95
68-70	Pair (pictured)	410-1466-P	199.95



1971	LH (modify for 72-74)	410-1471-L	129.95
1971	RH (modify for 72-74)	410-1471-R	129.95
1971	Pair (modify for 72-74)	410-1471-P	129.95

415) Four-Speed Shifter Tunnel



YEAR	MODEL	PART #	PRICE
66-70		415-1466	149.95
71-74	(no console) (pictured)	415-1471	149.95
71-74	(with console)	415-1570	149.95

420) Rear Floor Pan/ Under Rear Seat



Includes brackets for emergency brake cable, exhaust hanger and pinion snubber welded in place.

68-70	Will fit 66-67 with slight modification	420-1468	399.95
-------	---	----------	--------

425) Main Floor Pan Support

Use when replacing floorpan



66-70	4-piece set	425-1466-S	129.95
-------	-------------	------------	--------

441) Emergency Cable Bracket

66-70		441-1466	19.95
-------	--	----------	-------



442) Floor Wiring Cover

Use when replacing floorpan



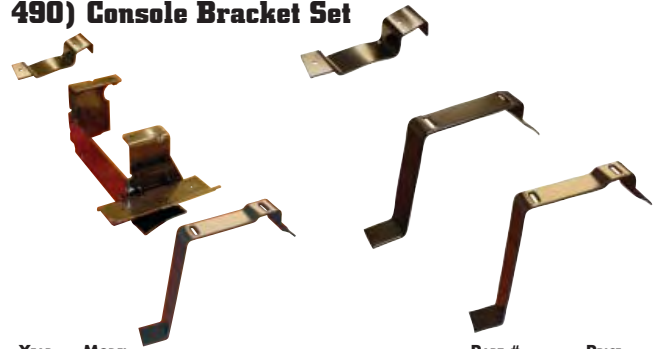
66-70	4-piece set	442-1466-S	99.95
-------	-------------	------------	-------

450) Rocker Panel (Outer skin or sill)

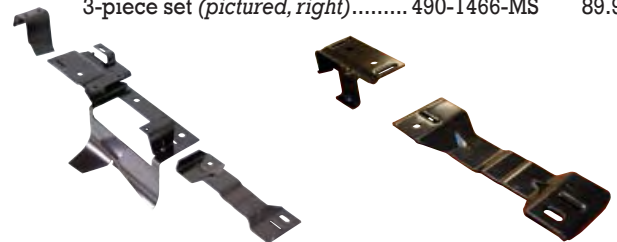


68-70	LH	450-1468-L	299.95
68-70	RH	450-1468-R	299.95

490) Console Bracket Set



YEAR	MODEL	PART #	PRICE
68-70	Automatic Transmission, 3-piece set (pictured, left)	490-1466-AS	149.95
68-70	Manual Transmission, 3-piece set (pictured, right)	490-1466-MS	89.95



71-74	Automatic Transmission, 3-piece set (pictured, left)	490-1570-AS	149.95
-------	--	-------------	--------

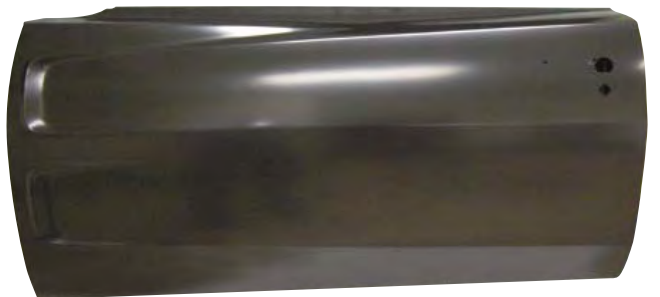
71-74	Manual Transmission, 2-piece set (pictured, right)	490-1570-MS	89.95
-------	--	-------------	-------

500) Door Shell, OE Style



EXCEPT CHARGER

1968	LH (pictured)	500-1468-L	599.95
1968	RH	500-1468-R	599.95
1969	LH	500-1469-L	599.95
1969	RH	500-1469-R	599.95



CHARGER

1968	LH	500-2668-L	599.95
1968	RH	500-2668-R	599.95
69-70	LH (pictured)	500-2669-L	599.95
69-70	RH	500-2669-R	599.95



MOPAR, JEEP, DODGE, HEMI, PLYMOUTH, and CHRYSLER are trademarks of Chrysler LLC used under license to Auto Metal Direct, LLC. © Chrysler LLC 2009

5322-H Rafe Banks Drive
Flowery Branch, GA 30542

(866) 591-8309

520) Door Hinge, Upper

NEW!
Not Rebuilt

66-70 LH.....	520-1466-L	69.95
66-70 RH.....	520-1466-R	69.95
66-70 Upper / Lower Set, 4 pieces.....	520-1466-S	229.95
71-74 LH.....	520-1471-L	69.95
71-74 RH.....	520-1471-R	69.95
71-74 Upper / Lower Set, 4 pieces.....	520-1471-S	229.95



525) Door Hinge, Lower

66-70 LH.....	525-1466-L	89.95
66-70 RH.....	525-1466-R	89.95
66-70 Upper / Lower Set, 4 pieces.....	525-1466-S	229.95
71-74 LH.....	525-1471-L	89.95
71-74 RH.....	525-1471-R	89.95
71-74 Upper / Lower Set, 4 pieces.....	525-1471-S	229.95



545) Window Regulator



66-70 LH.....	545-1466-L	119.95
66-70 RH.....	545-1466-R	119.95

600) Roof Skin, OE Style



68-70 except Charger	600-1468	599.95
----------------------------	----------	--------



68-70 Charger	600-2668	599.95
---------------------	----------	--------

620) Drip Rail, Pair

Use when replacing roof skin



68-70 including Charger	620-1468-S	199.95
-------------------------------	------------	--------

640) Package Tray (Speaker Panel)

CHARGER



68-70	640-2668	349.95
-------------	----------	--------

68-70 Trim Retainer (mounts on lower rear window frame)	640-2668-1	59.95
--	------------	-------

650) Deck Filler Panel



YEAR	MODEL	PART #	PRICE
68-70	except Charger	650-1468	169.95



71-74 Plymouth	650-1471	199.95
----------------------	----------	--------



68-70 Charger	650-2668	299.95
---------------------	----------	--------

654) Deck Filler Patch - except Charger

(repairs rust in lower corners of back glass)



68-70 Outside piece, LH	654-1468-1L	89.95
68-70 Outside piece, RH	654-1468-1R	89.95
68-70 Inner / Lower, LH	654-1468-2L	29.95
68-70 Inner / Lower, RH	654-1468-2R	29.95
68-70 Inner and Outer, 4-piece set (pictured)	654-1468-S	199.95

655) Lower Rear Window Frame

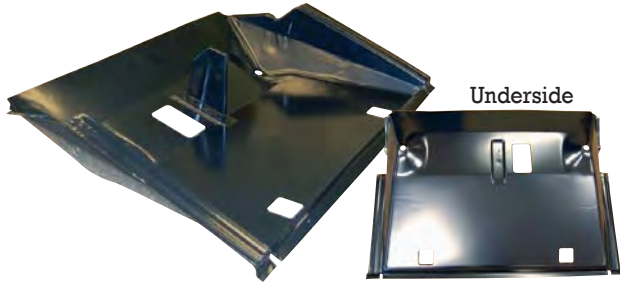
Use when replacing deck filler panel and/or package tray



68-70 Charger	655-2668	139.95
---------------------	----------	--------

656) Deck Filler Panel Lower Plenum

Use when replacing deck filler panel



68-70 Charger 656-2668 249.95

670) Rear Window Molding Set - see Glass Section, page 17

700) Quarter Panel, OE Style

(Complete coverage like originals)

CHARGER



YEAR	MODEL	PART #	PRICE
1968	LH (pictured)	700-2668-L	749.95
1968	RH	700-2668-R	749.95
1969	LH	700-2669-L	749.95
1969	RH	700-2669-R	749.95
1970	LH	700-2670-L	749.95
1970	RH	700-2670-R	749.95



1971	LH (pictured)	700-2671-L	749.95
1971	RH	700-2671-R	749.95
1972	LH	700-2672-L	749.95
1972	RH	700-2672-R	749.95

CORONET



1968	LH (pictured)	700-2468-L	749.95
1968	RH	700-2468-R	749.95
1969	LH	700-2469-L	749.95
1969	RH	700-2469-R	749.95

ROAD RUNNER



YEAR	MODEL	PART #	PRICE
1968	LH (pictured)	700-1468-L	749.95
1968	RH	700-1468-R	749.95
1969	LH	700-1469-L	749.95
1969	RH	700-1469-R	749.95



1970	LH	700-1470-L	749.95
1970	RH	700-1470-R	749.95



1971	LH	700-1471-L	749.95
1971	RH	700-1471-R	749.95
1972	LH (pictured)	700-1472-L	749.95
1972	RH	700-1472-R	749.95

750) Door Jamb Lock Pillar

SEDAN

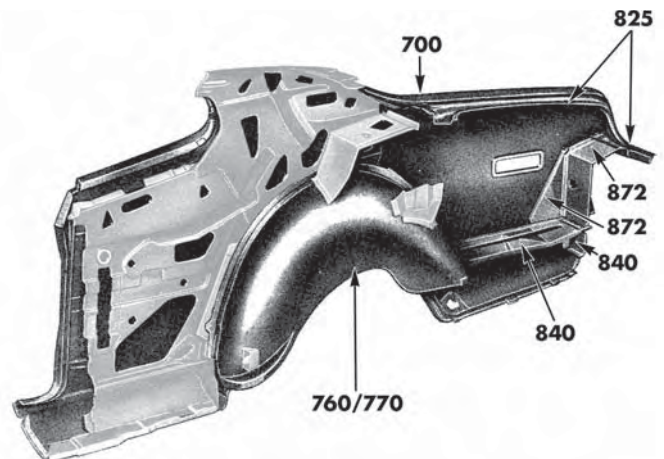
68-70	LH	750-1468-1L	199.95
68-70	RH	750-1468-1R	199.95

HARDTOP

68-70	LH	750-1468-2L	199.95
68-70	RH	750-1468-2R	199.95

CHARGER

68-70	LH (pictured)	750-2668-2L	199.95
68-70	RH	750-2668-2R	199.95



MOPAR, JEEP, DODGE, HEMI, PLYMOUTH, and CHRYSLER are trademarks of Chrysler LLC used under license to Auto Metal Direct, LLC. © Chrysler LLC 2009

5322-H Rafe Banks Drive
Flowery Branch, GA 30542

(866) 591-8309

760) Inner Wheelhouse



66-70 LH.....	760-1466-L	159.95
66-70 RH.....	760-1466-R	159.95



71-74 LH.....	760-1471-L	159.95
71-74 RH.....	760-1471-R	159.95

761) Wheelhouse Vapor Canister Shield

Use when replacing LH wheelhouse



71-72 Front Section (pictured, left)	761-1471-1	29.95
71-72 Rear Section (pictured, right)	761-1471-2	39.95

(both parts fit most 1972 models)

770) Outer Wheelhouse

Use when replacing quarter panels



DODGE			
68-70 LH.....	770-2468-L	149.95	
68-70 RH.....	770-2468-R	149.95	

PLYMOUTH			
68-70 LH.....	770-1468-L	149.95	
68-70 RH.....	770-1468-R	149.95	
71-74 LH.....	770-1471-L	149.95	
71-74 RH.....	770-1471-R	149.95	

CHARGER			
71-72 LH (modify for 73-74)	770-2671-L	149.95	
71-72 RH (modify for 73-74)	770-2671-R	149.95	

776) Quarter Panel Lower Rear Corner
(Between Rear Valance and Quarter Panel)



68-70 LH.....	776-2668-L	79.95
68-70 RH.....	776-2668-R	79.95

Check our Website for the Latest Updates:
autometaldirect.com

TRUNK FLOORS

800) Trunk Floor, OE Style

B-Body

62-65	800-1462	599.95
68-70	800-1468	369.95
71-73 (modify for 74)	800-1471	369.95

CHARGER

68-70	800-2668	369.95
-------------	----------	--------

805) Trunk Floor Halves

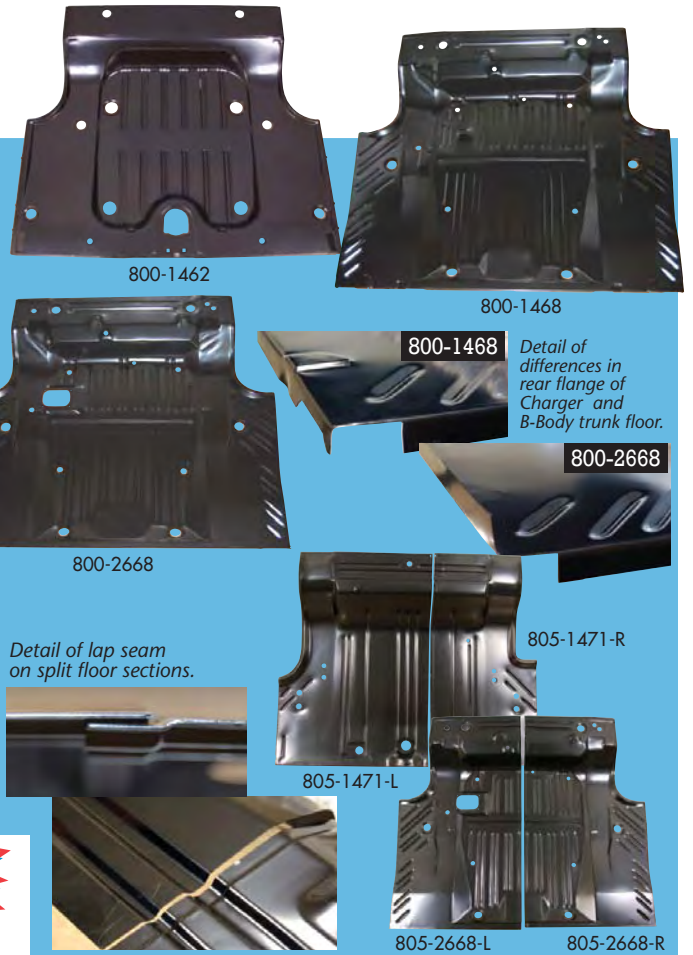
(All split floors have lap seam, ready to weld)

B-Body

68-70 LH.....	805-1468-L	159.95
68-70 RH.....	805-1468-R	159.95
71-73 LH.....	805-1471-L	159.95
71-73 RH.....	805-1471-R	159.95

CHARGER

68-70 LH.....	805-2668-L	159.95
68-70 RH.....	805-2668-R	159.95



800-1462

800-1468

800-1468

Detail of differences in rear flange of Charger and B-Body trunk floor.

800-2668

800-2668

Detail of lap seam on split floor sections.

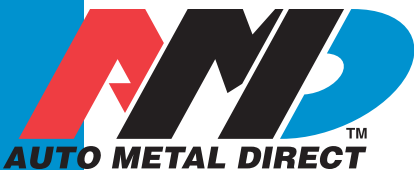
805-1471-R

805-1471-L

805-2668-L

805-2668-R

Trunk Floors available in Full OE Style or split versions.



Our Name Says It All!™

www.autometaldirect.com

820) Trunk Floor Brace

Use when replacing trunk floor

			
62-65	1 piece.....	820-1462	99.95
			
68-70	3-piece set.....	820-1468-S	129.95
			
			
71-73	2-piece set.....	820-1471-P	119.95

825) Trunk Gutter

Use when replacing quarter panel



CHARGER

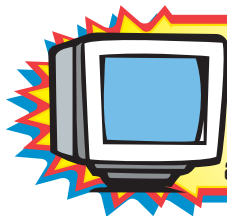
68-70	LH.....	825-2668-L	89.95
68-70	RH.....	825-2668-R	89.95
68-70	Pair.....	825-2668-P	169.95
71-74	LH.....	825-2671-L	99.95
71-74	RH.....	825-2671-R	99.95
71-74	Set.....	825-2671-S	189.95

CORONET

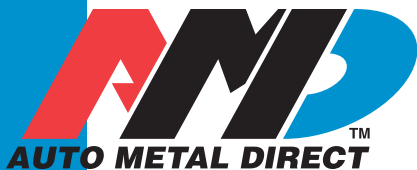
68-70	Upper, LH.....	825-2468-1L	59.95
68-70	Upper, RH.....	825-2468-1R	59.95
1968	Lower, LH.....	825-2468-L	39.95
1968	Lower, RH.....	825-2468-R	39.95
1968	4-piece set.....	825-2468-S	189.95
1969	Lower, LH.....	825-2469-L	39.95
1969	Lower, RH.....	825-2469-R	39.95
1969	4-piece set (pictured).....	825-2469-S	189.95

ROAD RUNNER

68-70	Upper, LH.....	825-2168-1L	69.95
68-70	Upper, RH.....	825-2168-1R	69.95
1968	Lower, LH.....	825-2168-L	42.95
1968	Lower, RH.....	825-2168-R	42.95
1968	Set of 4.....	825-2168-S	199.95
1969	Lower, LH.....	825-2169-L	42.95
1969	Lower, RH.....	825-2169-R	42.95
1969	Set of 4.....	825-2169-S	199.95
71-74	LH.....	825-1471-L	99.95
71-74	RH.....	825-1471-R	99.95
71-74	Set.....	825-1471-S	189.95



Check our Website
for the
Latest Updates:
[autometaldirect.com](http://www.autometaldirect.com)



Our Name Says It All!™

www.autometaldirect.com

840) Trunk Floor Extensions

Use when replacing quarter panels and/or trunk floor



B-Body

YEAR	MODEL	PART #	PRICE
62-65	LH.....	840-1462-L	109.95
62-65	RH.....	840-1462-R	109.95

(drop-off only, does not include small extension, see Sec. 841)



DODGE

68-70	LH.....	840-2468-L	129.95
68-70	RH.....	840-2468-R	129.95

PLYMOUTH

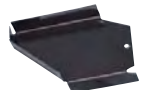
68-70	LH.....	840-1468-L	129.95
68-70	RH.....	840-1468-R	129.95
71-74	LH.....	840-1471-L	129.95
71-74	RH.....	840-1471-R	129.95

CHARGER

68-70	LH.....	840-2668-L	129.95
68-70	RH.....	840-2668-R	129.95
71-74	LH.....	840-2671-L	129.95
71-74	RH.....	840-2671-R	129.95

841) Trunk Floor Extension End Cap

63-65	Dodge, LH.....	841-2463-L	INQUIRE
63-65	Dodge, RH.....	841-2463-R	INQUIRE
63-65	Plymouth, LH.....	841-1463-L	INQUIRE
63-65	Plymouth, RH.....	841-1463-R	INQUIRE
71-74	LH.....	841-1471-L	19.95
71-74	RH (pictured).....	841-1471-R	19.95



850) Deck Lid

CHARGER



68-69	850-2668	549.95
1970	with spoiler holes.....	850-2670	549.95

860) Upper Rear Crossmember (Shock Mount)



66-70	860-1466	249.95
-------	-------	----------	--------

865) Rear Leaf Spring Mount



66-70	LH, Front.....	865-1466-1L	119.95
66-70	RH, Front.....	865-1466-1R	119.95
66-70	LH, Rear.....	865-1466-2L	119.95
66-70	RH, Rear.....	865-1466-2R	119.95
66-70	Set of 4 (pictured).....	865-1466-S	349.95

870) Rear Crossmember



YEAR	MODEL	PART #	PRICE
68-70		870-1468	199.95

871) Rear Crossmember Extension

B-BODY, EXCEPT CHARGER

68-70	LH	871-1468-1L	17.95
68-70	RH (pictured)	871-1468-1R	17.95



Reinforcement (welds on cross member)

B-BODY, EXCEPT CHARGER

68-70	LH (pictured)	871-1468-2L	22.95
68-70	RH	871-1468-2R	22.95



872) Quarter Panel Inner Reinforcement

Use when replacing quarter panel
(fits in lower rear of quarter panel)



872-1471-1L 872-1471-1R 872-1471-2L 872-1471-2R

ROAD RUNNER

71-72	LH, Extension	872-1471-1L	39.95
71-72	RH, Extension	872-1471-1R	39.95
71-72	LH	872-1471-2L	39.95
71-72	RH	872-1471-2R	39.95

895) Rear Frame Rail, OE Style



68-70	LH	895-1468-L	379.95
68-70	RH	895-1468-R	379.95

900) Taillight Panel

CHARGER



1968	with taillight brackets attached	900-2668	429.95
------	----------------------------------	----------	--------



69-70	with taillight brackets attached	900-2669	429.95
-------	----------------------------------	----------	--------

ROAD RUNNER



1968	Lower Panel (below deck lid)	900-1468	199.95
------	------------------------------	----------	--------



1969	Lower Panel (below deck lid)	900-1469	199.95
------	------------------------------	----------	--------



1970	Complete OE style	900-1470	449.95
------	-------------------	----------	--------

Outer Taillight Mount

ROAD RUNNER

1968	LH	900-1468-L	69.95
1968	RH	900-1468-R	69.95
1969	LH (pictured)	900-1469-L	69.95
1969	RH	900-1469-R	69.95



920) Taillight Panel Reinforcement Brackets

Use when replacing taillight panel



YEAR	MODEL	PART #	PRICE
69-70	Charger	920-2669-P	49.95

960) Rear Valance

CHARGER



1968		960-2668	229.95
------	--	----------	--------



69-70		960-2669	229.95
71-72	without tips	960-2671	249.95
71-72	with tips	960-2671-T	249.95



73-74	without tips	960-2673	249.95
-------	--------------	----------	--------



73-74	with tips	960-2673-T	249.95
-------	-----------	------------	--------

ROAD RUNNER



1971	without tips	960-1471	249.95
------	--------------	----------	--------



1971	with tips	960-1471-T	249.95
------	-----------	------------	--------

962) Trunk Floor to

Valance Reinforcement

Use when replacing trunk floor



68-70	Charger, 2-piece set	962-2668-S	129.95
-------	----------------------	------------	--------

We really know vintage muscle cars. Our knowledgeable staff have owned over 100.

(866) 591-8309

AM
AUTO METAL DIRECT
Our Name Says It All!™

Authentic RESTORATION PRODUCT

MOPAR, JEEP, DODGE, HEMI, PLYMOUTH, and CHRYSLER are trademarks of Chrysler LLC used under license to Auto Metal Direct, LLC. © Chrysler LLC 2009

5322-H Rafe Banks Drive
Flowery Branch, GA 30542

970) Rear Bumper Bracket Set

CHARGER

68-70 2 pieces..... 970-2668-S 129.95

68-69 Front/Rear/Center/
Outer Set, 9 pieces..... 105-2668-1S 349.95

CORONET

68-69 2 pieces..... 970-2468-S 129.95
68-69 Front/Rear set, 6 pieces..... 105-2468-1S 259.95

ROAD RUNNER

68-69 2 pieces..... 970-1468-S 129.95
68-69 Front/Rear Set, 6 pieces..... 105-1468-1S 259.95
1970 2 pieces..... 970-1470-S 129.95
1970 Front/Rear Set, 6 pieces..... 105-1470-1S 259.95

990) Rear Bumper

CHARGER

68-70 includes bumperettes..... 990-2668 359.95

68-69 Front/Rear Set,
includes bumperettes..... 100-2668-S 689.95

ROAD RUNNER

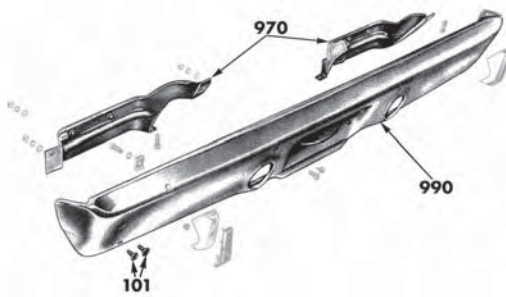
1968 990-1468 399.95
1968 Front/Rear Set..... 100-1468-S 789.95

1969 990-1469 399.95
1969 Front/Rear Set..... 100-1469-S 789.95

101) Bumper Bolt Sets

(Bolt, Flat & Lock Washers, Nut)

16-piece set..... 101-1000-16S 9.95
24-piece set..... 101-1000-24S 12.95
32-piece set..... 101-1000-32S 14.95



MOPAR GLASS

Buy a Kit & Save!

Now you can finally get **quality** reproduction glass for your B-Body Dodge or Plymouth muscle car! For years restorers have been stuck with inaccurate reproduction glass. It was too thin, didn't fit, and lacked the authentic Mopar Pentastar logo. Here at Auto Metal Direct we know that details really do matter, so we are proud to offer the following glass selection, complete with Mopar logo, and **licensed by Chrysler!** (Not date coded)



499) Complete Glass Kits

B-BODY HARDTOP, EXCEPT CHARGER

YEAR	MODEL	PART #	PRICE
68-70	Clear	499-1468-CS	1,299.95
68-70	Tinted	499-1468-TS	1,299.95
1971	Plymouth, Clear	499-1471-CS	1,199.95
1971	Plymouth, Tinted	499-1471-TS	1,199.95

B-BODY SEDAN

68-70	Dodge, Clear	499-2468-CSS	1,299.95
68-70	Dodge, Tinted	499-2468-TSS	1,299.95
68-70	Plymouth, Clear	499-1468-CSS	1,299.95
68-70	Plymouth, Tinted	499-1468-TSS	1,299.95

CHARGER

68-70	Clear	499-2668-CS	1,299.95
68-70	Tinted	499-2668-TS	1,299.95
1971	Clear	499-2671-CS	1,199.95
1971	Tinted	499-2671-TS	1,199.95



380) Windshield

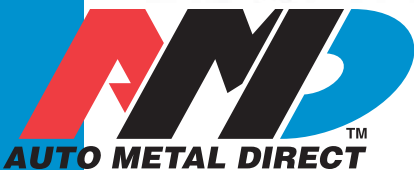
66-67	Clear	380-1466-C	249.95
66-67	Tinted	380-1466-T	249.95
68-70	Hardtop, Clear	380-1468-C	249.95
68-70	Hardtop, Tinted	380-1468-T	249.95
68-70	Convertible, Clear	380-1466-C	249.95
68-70	Convertible, Tinted	380-1466-T	249.95
71-74	Clear	380-1471-C	249.95
71-74	Tinted	380-1471-T	249.95

NEW!



385) Windshield Molding Set

68-70	7-piece set.....	385-1468-S	249.95
-------	------------------	------------	--------



Our Name Says It All!™

www.autometaldirect.com



550) Door Glass

HARDTOP

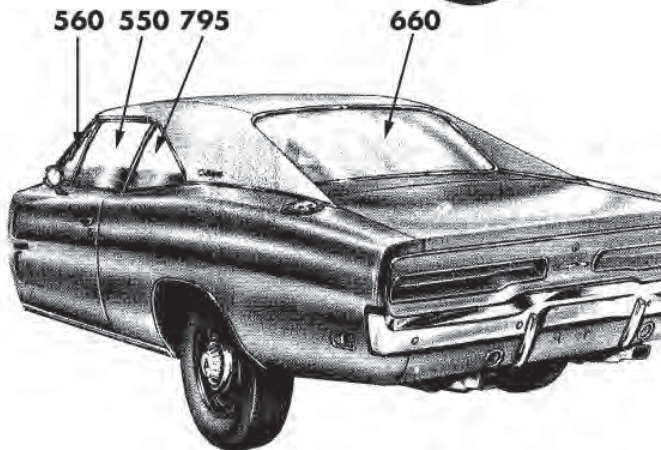
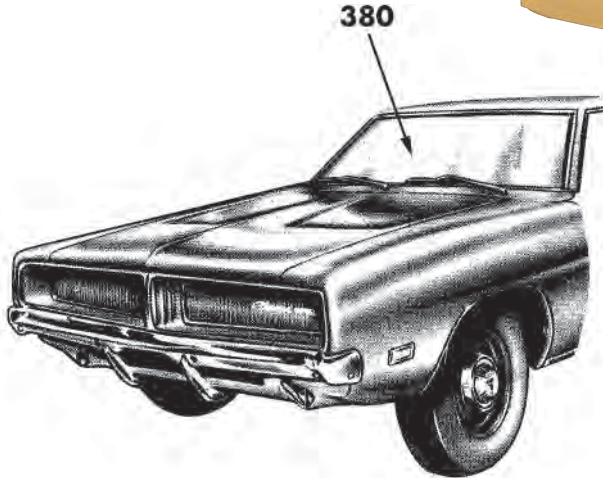
YEAR	MODEL	PART #	PRICE
68-70	LH, Clear.....	550-1468-CL	199.95
68-70	RH, Clear	550-1468-CR	199.95
68-70	LH, Tinted	550-1468-TL	199.95
68-70	RH, Tinted	550-1468-TR	199.95
71-74	LH, Clear.....	550-1471-CL	199.95
71-74	RH, Clear	550-1471-CR	199.95
71-74	LH, Tinted	550-1471-TL	199.95
71-74	RH, Tinted	550-1471-TR	199.95

SEDAN

68-70	LH, Clear.....	550-1468-CSL	199.95
68-70	RH, Clear	550-1468-CSR	199.95
68-70	LH, Tinted	550-1468-TSL	199.95
68-70	RH, Tinted	550-1468-TSR	199.95

560) Vent Glass

68-70	LH, Clear.....	560-1468-CL	89.95
68-70	RH, Clear	560-1468-CR	89.95
68-70	LH, Tinted	560-1468-TL	89.95
68-70	RH, Tinted	560-1468-TR	89.95



795) Quarter Glass

HARDTOP

68-70	LH, Clear.....	795-1468-CL	149.95
68-70	RH, Clear	795-1468-CR	149.95
68-70	LH, Tinted	795-1468-TL	149.95
68-70	RH, Tinted	795-1468-TR	149.95

DODGE SEDAN

68-70	LH, Clear.....	795-2468-CL	149.95
68-70	RH, Clear	795-2468-CR	149.95
68-70	LH, Tinted	795-2468-TL	149.95
68-70	RH, Tinted	795-2468-TR	149.95

PLYMOUTH HARDTOP

1971	LH, Clear.....	795-1471-CL	149.95
1971	RH, Clear	795-1471-CR	149.95
1971	LH, Tinted	795-1471-TL	149.95
1971	RH, Tinted	795-1471-TR	149.95

PLYMOUTH SEDAN

68-70	LH, Clear.....	795-1468-CL	149.95
68-70	RH, Clear	795-1468-CR	149.95
68-70	LH, Tinted	795-1468-TL	149.95
68-70	RH, Tinted	795-1468-TR	149.95

CHARGER

1971	LH, Clear.....	795-2671-CL	149.95
1971	RH, Clear	795-2671-CR	149.95
1971	LH, Tinted	795-2671-TL	149.95
1971	RH, Tinted	795-2671-TR	149.95



796) Quarter Glass Latch Assembly

68-70	B-Body Sedan, pair	796-1468-P	129.95
-------	--------------------------	------------	--------



660) Back Glass

B-Body

68-70	except Charger, Clear	660-1468-C	399.95
68-70	except Charger, Tinted	660-1468-T	399.95
71-74	Clear	660-1471-C	349.95
71-74	Tinted	660-1471-T	349.95

CHARGER

68-70	Clear	660-2668-C	349.95
68-70	Tinted	660-2668-T	349.95

670) Rear Window Molding Set

68-70	except Charger	670-1468-S	INQUIRE
68-70	Charger	670-2668-S	INQUIRE

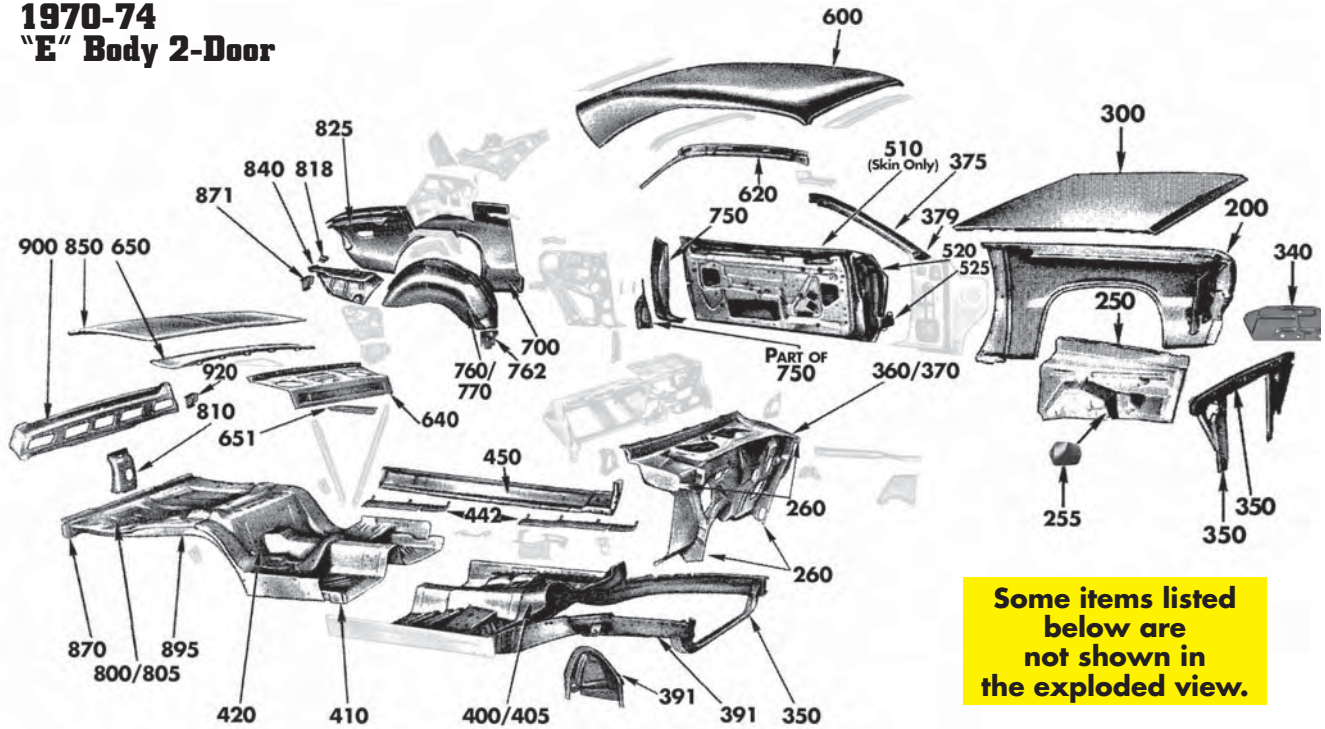


MOPAR, JEEP, DODGE, HEMI, PLYMOUTH, and CHRYSLER are trademarks of Chrysler LLC used under license to Auto Metal Direct, LLC. © Chrysler LLC 2009

5322-H Rafe Banks Drive
Flowery Branch, GA 30542

(866) 591-8309

1970-74 "E" Body 2-Door



Some items listed below are not shown in the exploded view.

#	Part Description	Page #	#	Part Description	Page #
100	Front Bumper.....	19	640	Package Tray.....	24
101	Bumper Bolt Set.....	20	650	Deck Filler Panel.....	24
105	Front Bumper Bracket Set.....	20	651	Deck Filler Support.....	24
125	Front Valance.....	20	700	Quarter Panel, OE Style.....	24
130	Header Panel.....	20	750	Door Jamb Pillar.....	25
200	Front Fender.....	20	760	Inner Wheelhouse.....	25
250	Front Inner Fender, OE Style.....	21	762	Inner Wheelhouse Bracket.....	25
255	Front Inner Fender Cover/Plate.....	21	770	Outer Wheelhouse.....	25
260	Inner Fender to Cowl Bracket.....	21	800	Trunk Floor, OE Style.....	25
261	Fender to Cowl Bracket.....	21	805	Trunk Floor Halves.....	25
300	Hood.....	21	810	Trunk Lock Support.....	25
310	Hood Hinges.....	21	816	Spare Tire Stud, Wing Nut, Hardware Kit.....	26
320	Hood Insert Set.....	21	817	Spare Tire Hold Down Bracket.....	26
340	Battery Tray.....	21	818	Jack Bracket.....	26
350	Radiator Support.....	21	820	Trunk Floor Brace.....	26
360	Firewall Upper Cowl.....	22	825	Trunk Gutter.....	26
370	Firewall Lower Cowl.....	22	827	Trunk Lock Shield.....	26
375	Windshield Post (A Pillar).....	22	840	Trunk Floor Extension.....	27
379	Windshield Corner/Cowl Patch.....	22	850	Deck Lid.....	26
391	Front Frame Rail.....	22	860	Upper Rear Crossmember (Shock Mount).....	27
395	Torsion Bar Crossmember.....	22	865	Rear Leaf Spring Mount.....	27
400	Front Floor Pan, OE Style.....	22	870	Rear Crossmember.....	27
405	Front Floor Pan Halves.....	22	871	Rear Crossmember Extension.....	27
410	Rear Floor Pan/Footwell Area, OE Style.....	23	895	Rear Frame Rail, OE Style.....	27
415	Four Speed Shifter Tunnel.....	23	900	Taillight Panel.....	27
420	Rear Floor Pan/Under Rear Seat.....	23	920	Taillight Panel Reinforcement Brackets.....	27
425	Main Floor Pan Support.....	23	960	Rear Valance.....	27
426	Rear Floor Pan Reinforcement.....	23	961	Rear Valance Bracket.....	28
441	Emergency Brake Cable Bracket.....	23	970	Rear Bumper Bracket Set.....	28
442	Floor Wiring Cover.....	23	975	Rear Bumper Filler.....	28
450	Outer Rocker Panel.....	23	980	Rear Bumper Guards & Bumperettes.....	28
490	Console Bracket Set.....	23	990	Rear Bumper.....	28
510	Door Skin.....	23	499	Complete Glass Kits.....	29
520	Door Hinge, Upper.....	24	380	Windshield.....	29
525	Door Hinge, Lower.....	24	550	Door Glass.....	29
545	Window Regulators.....	24	795	Quarter Glass.....	29
600	Roof Skin, OE Style.....	24	660	Back Glass.....	29
620	Drip Rail, Pair.....	24			

"E" BODY

In 1970, the new E-Body style was introduced – Plymouth's Barracuda and Dodge's Challenger.

Dodge

Challenger
Challenger R/T

Plymouth

Barracuda
'Cuda

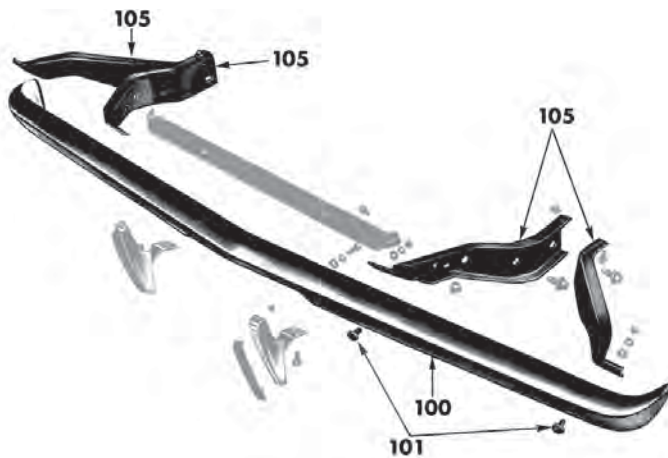
LH = Driver Side

RH = Passenger Side



FRONT BUMPERS

The bumpers on Challenger and 'Cuda noses added real style to a classic design. But that thin shape made them vulnerable to dents and damage. For years restorers have had to rely on expensive restorations of rare original cores, and today most junk yards and swap meets have been stripped bare. But today you can order beautiful new licensed reproduction bumpers for your E-Body from AMD. Get bumper brackets, too. All our brackets have pentastars and part numbers. Call today!



100) Front Bumper

BARRACUDA

YEAR	MODEL	PART #	PRICE
70-71		100-1570	279.95
70-71	Front/Rear Set	100-1570-S	519.95
1972		100-1572	279.95
1972	Front/Rear Set	100-1572-S	519.95
73-74		100-1573	279.95
1973	Front/Rear Set	100-1573-S	519.95
1974	Front/Rear Set	100-1574-S	519.95

CHALLENGER

70-71		100-2570	279.95
70-71	Front/Rear Set	100-2570-S	519.95
1972		100-2572	279.95
1972	Front/Rear Set	100-2572-S	519.95
73-74		100-2573	279.95
1973	Front/Rear Set	100-2573-S	519.95
1974	Front/Rear Set	100-2574-S	519.95



MOPAR, JEEP, DODGE, HEMI, PLYMOUTH, and CHRYSLER are trademarks of Chrysler LLC used under license to Auto Metal Direct, LLC. © Chrysler LLC 2009

5322-H Rafe Banks Drive
Flowery Branch, GA 30542

(866) 591-8309

101) Bumper Bolt Sets

(Bolt, Flat & Lock Washers, Nut)

16-piece set.....	101-1000-165	9.95
24-piece set.....	101-1000-245	12.95
32-piece set.....	101-1000-325	14.95



105) Front Bumper Bracket Sets

BARRACUDA



70-72 Front set, 4 pieces.....	105-1570-S	169.95
--------------------------------	------------	--------



70-72 Front/Rear set, 6 pieces.....	105-1570-1S	274.95
-------------------------------------	-------------	--------

CHALLENGER



70-72 Front set, 4 pieces.....	105-2570-S	169.95
--------------------------------	------------	--------



70-72 Front/Rear set, 6 pieces.....	105-2570-1S	274.95
-------------------------------------	-------------	--------

125) Front Valance

BARRACUDA



1970, 1972-74.....	125-1570	229.95
--------------------	----------	--------



1971.....	125-1571	349.95
-----------	----------	--------

125) Front Valance

CHALLENGER



70-71.....	125-2570	229.95
72-74.....	125-2572	229.95

130) Header Panel

BARRACUDA



1970.....	130-1570	449.95
1971 (pictured).....	130-1571	299.95
72-74.....	130-1572	299.95

200) Front Fender

BARRACUDA



1970 LH.....	200-1570-L	649.95
1970 RH.....	200-1570-R	649.95



1971 LH, no gills.....	200-1571-1L	649.95
1971 RH, no gills.....	200-1571-1R	649.95
1971 LH, with gills (pictured).....	200-1571-2L	649.95
1971 RH, with gills.....	200-1571-2R	649.95
72-74 LH.....	200-1572-L	649.95
72-74 RH.....	200-1572-R	649.95

CHALLENGER



All products are AMP exclusives and are made on our own steel tools.



1970 LH (pictured).....	200-2570-L	649.95
1970 RH.....	200-2570-R	649.95
1971 LH.....	200-2571-L	649.95
1971 RH.....	200-2571-R	649.95
72-74 LH.....	200-2572-L	649.95
72-74 RH.....	200-2572-R	649.95



Our Name Says It All!™

www.autometaldirect.com

250) Front Inner Fender, OE Style



YEAR	MODEL	PART #	PRICE
70-71	LH.....	250-1570-L	209.95
70-71	RH.....	250-1570-R	209.95
70-71	Pair (pictured).....	250-1570-P	399.95
72-74	LH.....	250-1572-L	209.95
72-74	RH.....	250-1572-R	209.95
72-74	Pair.....	250-1572-P	399.95

255) Front Inner Fender Cover/Plate

70-74	Pair.....	255-1570-P	19.95
-------	-----------	------------	-------



260) Inner Fender to Cowl Bracket

Use when replacing inner fender or cowl

70-74	LH, upper (pictured) .	260-1570-2L	39.95
70-74	RH, upper	260-1570-2R	39.95
70-74	Pair, upper	260-1570-2P	74.95
70-74	LH, lower.....	260-1570-L	49.95
70-74	RH, lower	260-1570-R	49.95
70-74	Pair, lower (pictured)...	260-1570-P	89.95



Inner Fender Brace to Cowl Bracket

70-74	Pair (pictured)	260-1570-1P	39.95
-------	-----------------------	-------------	-------

261) Fender to Cowl Bracket

70-74	LH (pictured).....	261-1570-L	19.95
70-74	RH.....	261-1570-R	19.95
70-74	Pair.....	261-1570-P	37.95

310) Hood Hinges



70-74	Pair, includes springs.....	310-1570-P	249.95
-------	-----------------------------	------------	--------



340) Battery Tray

70-74	340-1570	29.95
-------	-------	----------	-------

350) Radiator Support



70-74	Assembly.....	350-1570-S	349.95
70-74	Lower.....	351-1570	199.95

320) Hood Insert Set



70-74	Challenger R/T.....	320-2570-S	189.95
-------	---------------------	------------	--------

RECEIVE a 50% DISCOUNT
the price of hood inserts
when purchased with a
new hood.

HOODS

Replace the rusted, bent, or missing original Hood on your 'Cuda, or Challenger, with these beautiful brand new, top quality reproduction Hoods from craftsmen who really know Dodge and Plymouth muscle cars.

300) Hood

BARRACUDA, SHAKER HOOD

70-74	without pin holes	300-1570-2S	1,199.95
70-74	with pin holes	300-1570-2HS	1,199.95

CHALLENGER RT

70-74	without pin holes	300-2570-1	549.95
70-74	with pin holes	300-2570-1H	549.95

CHALLENGER, SHAKER HOOD

70-74	without pin holes	300-2570-2S	1,199.95
70-74	with pin holes	300-2570-2HS	1,199.95

300-1570-2S

300-2570-1H

300-2570-2HS



5322-H Rafe Banks Drive
Flowery Branch, GA 30542

(866) 591-8309

360) Firewall Upper Cowl

(See Upper / Lower Sets under Section 370)



YEAR	MODEL	PART #	PRICE
70-74	screw-on screen style	360-1570-1	499.95
70-74	Square holes for screen mounting (clip on screen style)	360-1570-2	499.95

370) Firewall Lower Cowl



70-74	without A/C	370-1570	599.95
-------	-------------	----------	--------



70-74	with A/C	370-1570-AC	599.95
-------	----------	-------------	--------

Save \$\$\$ when you buy as a set!

UPPER/LOWER SETS



70-74	without A/C, (screw-on screen style)	370-1570-1S	999.95
70-74	without A/C, (clip-on screen style)	370-1570-2S	999.95
70-74	with A/C, (screw-on screen style)	370-1570-1ACS	999.95
70-74	with A/C, (clip-on screen style)	370-1570-2ACS	999.95

375) Windshield Post (A Pillar)

(runs from roof joint to upper door hinge area. Outer skin only.)

70-74	LH	375-1570L	159.95
70-74	RH	375-1570R	159.95



379) Windshield Corner/Cowl Patch

(repairs rust in corner of windshield)

70-74	4-piece set	379-1570-S	189.95
70-74	LH	379-1570-L	99.95
70-74	RH (pictured)	379-1570-R	99.95



391) Front Frame Rail



70-74	LH	391-1570L	INQUIRE
70-74	RH	391-1570R	INQUIRE

395) Torsion Bar Crossmember



1970		395-1570	399.95
71-74		395-1571	399.95

400) Front Floor Pan, OE Style

(complete coverage, like original)



Comes with fastener for speedometer cable

1970	(with flange)	400-1570	499.95
71-74		400-1571	499.95

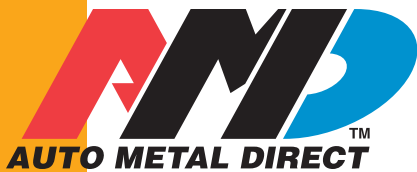
405) Front Floor Pan Halves

(Does not include top area of transmission tunnel)



1970	LH, with flange	405-1570-L	199.95
1970	RH, with flange	405-1570-R	199.95
71-74	LH	405-1571-L	199.95
71-74	RH	405-1571-R	199.95

Many of our items are shipped by truck freight. Call for details.



Our Name Says It All!™

www.autometaldirect.com

410) Rear Floor Pan/Footwell Area, OE Style



Side view - 1970

Side view - 1971-74

BARRACUDA

YEAR	MODEL	PART #	PRICE
1970	LH.....	410-1570-L	129.95
1970	RH.....	410-1570-R	129.95
1970	Pair.....	410-1570-P	199.95
71-74	LH.....	410-1571-L	129.95
71-74	RH.....	410-1571-R	129.95
71-74	Pair.....	410-1571-P	199.95

CHALLENGER

1970	LH.....	410-2570-L	129.95
1970	RH.....	410-2570-R	129.95
1970	Pair.....	410-2570-P	199.95
71-74	LH.....	410-2571-L	129.95
71-74	RH.....	410-2571-R	129.95
71-74	Pair.....	410-2571-P	199.95

415) Four-Speed Shifter Tunnel



70-74 415-1570 149.95

420) Rear Floor Pan / Under Rear Seat



Includes brackets for emergency brake cable, exhaust hanger, pinion snubber, and brake line.

70-74 420-1570 399.95

425) Main Floor Pan Support

Use when replacing floor pan



70-74 4-piece set..... 425-1570-S 129.95

426) Rear Floor Pan Reinforcement

Use when replacing rear floor pan

70-74 Pair 426-2570 39.95



441) Emergency Brake Cable Bracket

Use when replacing floor pan

1970 Only 441-1570 24.95



442) Floor Wiring Cover

Use when replacing floor pan



BARRACUDA

70-74 2-piece set..... 442-1570-S 99.95



CHALLENGER

70-74 2-piece set..... 442-2570-S 99.95

450) Rocker Panel (Outer skin or sill)



BARRACUDA

70-74 LH..... 450-1570-L 299.95

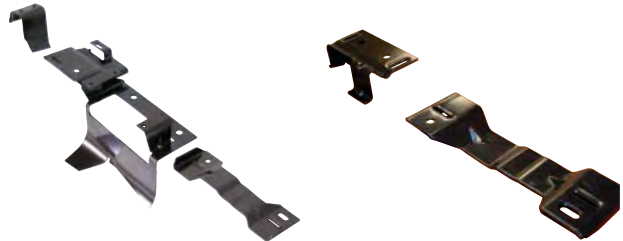
70-74 RH..... 450-1570-R 299.95

CHALLENGER

70-74 LH..... 450-2570-L 299.95

70-74 RH..... 450-2570-R 299.95

490) Console Bracket Set



70-74 Automatic Transmission, 3 pieces (pictured, left) 490-1570-AS 149.95

70-74 Manual Transmission, 2 pieces (pictured, right) 490-1570-MS 89.95

510) Door Skin



BARRACUDA

70-74 LH..... 510-1570-L 299.95

70-74 RH..... 510-1570-R 299.95



CHALLENGER

70-74 LH..... 510-2570-L 299.95

70-74 RH..... 510-2570-R 299.95



MOPAR, JEEP, DODGE, HEMI, PLYMOUTH, and CHRYSLER are trademarks of Chrysler LLC used under license to Auto Metal Direct, LLC. © Chrysler LLC 2009

5322-H Rafe Banks Drive
Flowery Branch, GA 30542

(866) 591-8309

520) Door Hinge, Upper

NEW!
Not Rebuilt

70-74 Upper, LH.....	520-1570-L	69.95
70-74 Upper, RH.....	520-1570-R	69.95
70-74 Upper / Lower set, 4 pieces.....	520-1570-S	229.95



525) Door Hinge, Lower

70-74 Lower, LH.....	525-1570-L	89.95
70-74 Lower, RH.....	525-1570-R	89.95
70-74 Upper / Lower set, 4 pieces.....	520-1570-S	229.95

545) Window Regulator



BARRACUDA

1970 LH.....	545-1570-L	199.95
1970 RH.....	545-1570-R	199.95
71-74 LH.....	545-1571-L	199.95
71-74 RH.....	545-1571-R	199.95

CHALLENGER

1970 LH.....	545-2570-L	199.95
1970 RH.....	545-2570-R	199.95
71-74 LH.....	545-2571-L	199.95
71-74 RH.....	545-2571-R	199.95

600) Roof Skin, OE Style



70-74 Barracuda.....	600-1570	599.95
----------------------	----------	--------



70-74 Challenger.....	600-2570	599.95
-----------------------	----------	--------

620) Drip Rail, Pair

Use when replacing roof skin



70-74 Barracuda.....	620-1570-S	199.95
70-74 Challenger (pictured).....	620-2570-S	199.95

640) Package Tray (Speaker panel)



BARRACUDA

YEAR	MODEL	PART #	PRICE
70-74		640-1570	349.95



CHALLENGER

70-74		640-2570	349.95
-------	--	----------	--------

650) Deck Filler Panel



70-74 Barracuda.....	650-1570	169.95
70-74 Challenger (pictured).....	650-2570	169.95

651) Deck Filler Support

Use when replacing deck filler panel and/or package tray

70-74 Barracuda (pictured, left).....	651-1570	29.95
70-74 Challenger (pictured, right).....	651-2570	29.95



700) Quarter Panel, OE Style

(complete coverage like originals)

BARRACUDA

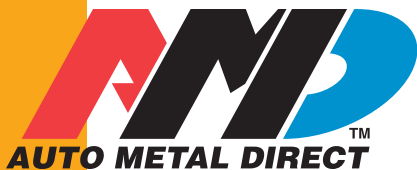


70-71 LH (pictured).....	700-1570-L	599.95
70-71 RH.....	700-1570-R	599.95
72-74 LH.....	700-1572-L	599.95
72-74 RH.....	700-1572-R	599.95

CHALLENGER



70-71 LH.....	700-2570-L	599.95
70-71 RH.....	700-2570-R	599.95
72-74 LH (pictured).....	700-2572-L	599.95
72-74 RH.....	700-2572-R	599.95



Our Name Says It All!™

www.autometaldirect.com

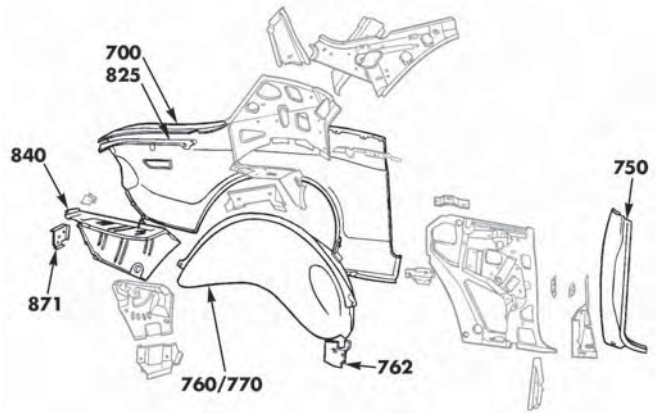
750) Door Jamb Lock Pillar

BARRACUDA

70-74 LH	750-1570-L	199.95
70-74 RH.....	750-1570-R	199.95

CHALLENGER

70-74 LH.....	750-2570-L	199.95
70-74 RH.....	750-2570-R	199.95



760) Inner Wheelhouse



70-74 LH.....	760-1570-L	139.95
70-74 RH.....	760-1570-R	139.95

762) Inner Wheelhouse Bracket

(Seat Belt Anchor)

Use when replacing inner wheel houses

70-71 Front, LH	762-1570-L	19.95
70-71 Front, RH.....	762-1570-R	19.95
70-71 Front, Pair (pictured) ...	762-1570-P	34.95



770) Outer Wheelhouse

Use when replacing quarter panels



BARRACUDA

70-74 LH.....	770-1570-L	149.95
70-74 RH.....	770-1570-R	149.95

CHALLENGER

70-74 LH (pictured, left)	770-2570-L	149.95
70-74 RH (pictured, right)	770-2570-R	149.95

810) Trunk Lock Support

(Use when replacing trunk floor and/or taillight panel)



YEAR	MODEL	PART #	PRICE
70-74	Barracuda (pictured, left)	810-1570	99.95
70-74	Challenger (pictured, right)	810-2570	99.95



TRUNK FLOORS

800) Trunk Floor, OE Style

BARRACUDA

1970	800-1570	369.95
71-74	800-1571	369.95

CHALLENGER

1970	800-2570	369.95
71-74	800-2571	369.95

805) Trunk Floor Halves

(All split floors have lap seam, ready to weld)

BARRACUDA

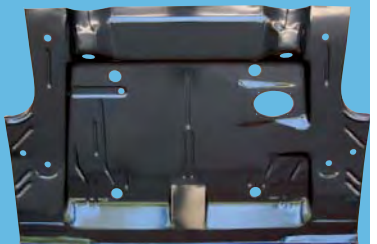
1970 LH Side	805-1570-L	159.95
1970 RH Side.....	805-1570-R	159.95
71-74 LH Side	805-1571-L	159.95
71-74 RH Side.....	805-1571-R	159.95

CHALLENGER

1970 LH.....	805-2570-L	159.95
1970 RH.....	805-2570-R	159.95
71-74 LH.....	805-2571-L	159.95
71-74 RH.....	805-2571-R	159.95

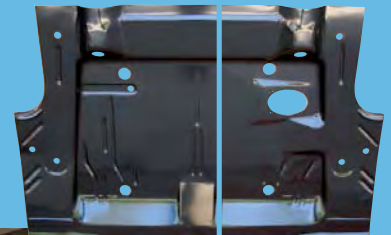


800-1570



800-2571

Detail of lap seam on split floor sections.



805-2571-L

805-2571-R



MOPAR, JEEP, DODGE, HEMI, PLYMOUTH, and CHRYSLER are trademarks of Chrysler LLC used under license to Auto Metal Direct, LLC. © Chrysler LLC 2009

5322-H Rafe Banks Drive
Flowery Branch, GA 30542

(866) 591-8309

816) Spare Tire Stud, Wing Nut, Hardware Set

- 70-74 with full size spare 816-1570-1S 29.95
- 70-74 with Space Saver spare 816-1570-2S 29.95

Spare Tire Stud Wing Nut (Only)

- Wing Nut Only 816-1468 9.95

Spare Tire Stud (Only)

- (with bolt hole on bottom)
- 6" with 2 1/2" thread ... 816-1570-6 17.95
- 8" with 2 1/2" thread ... 816-1570-8 17.95

817) Spare Tire Hold Down Bracket

- 70-74 Hardtop (pictured, left) 817-1570-1 29.95
- 70-71 Convertible (pictured, right) 817-1570-2 49.95

818) Jack Bracket

- 70-74 LH, Front (spring hook) (pictured, above) 818-1570-1L 14.95
- 70-74 LH, Rear (pictured, below) 818-1570-2L 19.95
- 70-74 Front/Rear Brackets, 2-piece set 818-1570-S 29.95

All items are full OE Style, except where noted.

820) Trunk Floor Brace

(Use when replacing trunk floor)

- 70-74 Pair 820-1570-P 119.95

825) Trunk Gutter

Use when replacing quarter panel



BARRACUDA

YEAR	MODEL	PART #	PRICE
70-74	LH	825-1570-L	74.95
70-74	RH	825-1570-R	74.95
70-74	set (pictured)	825-1570-S	139.95

CHALLENGER

70-74	LH	825-2570-L	74.95
70-74	RH	825-2570-R	74.95
70-74	Pair	825-2570-S	139.95

827) Trunk Lock Shield

Use when replacing taillight panel

- 70-71 Barracuda 827-1570 85.95

DECK LIDS

Did you know that there were **several different deck lid configurations for Challengers and Barracudas?** So why settle for a "one-style-fits-all" replacement? Here at Auto Metal Direct, we've gone the extra mile to produce the finest E-Body deck lids on the market, and **we offer five different deck lid configurations.** Call and order the correct deck lid for your E-Body today!

850) Deck Lid

BARRACUDA

- 70-74 without spoiler holes 850-1570-1 499.95
- 1970 with spoiler holes 850-1570-2 499.95
- 1971 with spoiler holes 850-1571 499.95

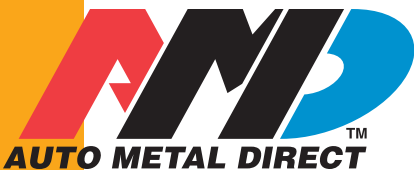
CHALLENGER

- 70-74 without spoiler holes 850-2570-1 499.95
- 70-71 with spoiler holes 850-2570-2 499.95

Don't waste time and money trying to fix an inferior quality piece. Do it right the first time. AMD deck lids are the smart choice.



All products are AMD exclusives and are made on our own steel tools.



840) Trunk Floor Extension
Use when replacing quarter panel



BARRACUDA

YEAR	MODEL	PART #	PRICE
70-74	LH	840-1570-L	129.95
70-74	RH	840-1570-R	129.95

CHALLENGER (pictured)

70-74	LH	840-2570-L	129.95
70-74	RH	840-2570-R	129.95

860) Upper Rear Crossmember (Shock Mount)

70-74		860-1570	239.95
-------	--	----------	--------

865) Rear Leaf Spring Mount



YEAR	MODEL	PART #	PRICE
70-74	LH, Front	865-1570-1L	119.95
70-74	RH, Front	865-1570-1R	119.95

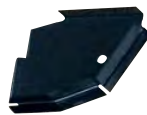
870) Rear Crossmember



70-74		870-1570	199.95
-------	--	----------	--------

871) Rear Crossmember Extension

70-74	LH	871-1570-L	17.95
70-74	RH (pictured)	871-1570-R	17.95



895) Rear Frame Rail, OE Style

(Comes with loose emergency brake cable brackets for 1970 and 1971-74)



70-74	LH	895-1570-L	379.95
70-74	RH	895-1570-R	379.95

900) Taillight Panel

BARRACUDA

(1972 and 73-74 versions come with taillight brackets attached)



70-71		900-1570	449.95
-------	--	----------	--------



1972		900-1572	449.95
------	--	----------	--------



73-74		900-1573	449.95
-------	--	----------	--------

CHALLENGER



1970		900-2570	449.95
------	--	----------	--------

920) Taillight Panel Reinforcement Brackets
Use when replacing taillight panel



BARRACUDA

70-74	Pair	920-1570-S	89.95
-------	------	------------	-------

960) Rear Valance

BARRACUDA



70-74	without tips	960-1570	229.95
70-74	with tips (pictured)	960-1570-T	229.95

CHALLENGER



70-74	without tips	960-2570	229.95
70-74	with tips (pictured)	960-2570-T	229.95

PICKY, PICKY, PICKY!!

Our R&D guy, Gilbert Propes, has got to be the pickiest car guy on earth. For many years he was a professional restorer of top-shelf muscle cars. He has restored many platinum-level cars for some of the world's most well-known collectors. Gilbert knows first-hand that fit and finish are critical with body panels. So each time a new prototype body panel comes off of new tooling, Gilbert takes the part into our shop and personally test fits it on a car. The marked-up prototype is used to change and improve the tools, and then a new version is produced. Once again, Gilbert carefully test-fits the part, and compares it to the original specifications. This procedure might be repeated multiple times, but once the part is finally approved, you can be assured of a quality part.



MOPAR, JEEP, DODGE, HEMI, PLYMOUTH, and CHRYSLER are trademarks of Chrysler LLC used under license to Auto Metal Direct, LLC. © Chrysler LLC 2009

5322-H Rafe Banks Drive
Flowery Branch, GA 30542

(866) 591-8309

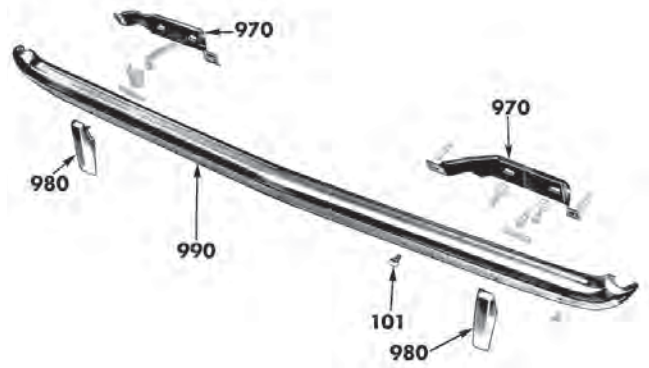
961) Rear Valance Brackets

BARRACUDA

- 1970 Pair (pictured, at right, above).....961-1570 99.95
- 71-74 Pair (pictured, above left).....961-1571 29.95

CHALLENGER

- 70-71 Pair (pictured, right).....961-2570 99.95



970) Rear Bumper Bracket Set



BARRACUDA

- | YEAR | MODEL | PART # | PRICE |
|-------|----------|------------|--------|
| 70-72 | 2 pieces | 970-1570-S | 129.95 |



- | | | | |
|-------|--------------------------|-------------|--------|
| 70-72 | Front/Rear Set, 6 pieces | 105-1570-1S | 274.95 |
|-------|--------------------------|-------------|--------|

CHALLENGER

- | | | | |
|-------|----------|------------|--------|
| 70-72 | 2 pieces | 970-2570-S | 129.95 |
|-------|----------|------------|--------|



- | | | | |
|-------|--------------------------|-------------|--------|
| 70-72 | Front/Rear Set, 6 pieces | 105-2570-1S | 274.95 |
|-------|--------------------------|-------------|--------|

975) Rear Bumper Filler

(between bumper and taillight panel)

- | | | | |
|-------|------------|----------|-------|
| 70-72 | Challenger | 975-2570 | 59.95 |
|-------|------------|----------|-------|

980) Rear Bumper Guards & Bumperettes

BARRACUDA

- | | | | |
|-------|------|------------|--------|
| 70-72 | Pair | 980-1570-P | 129.95 |
|-------|------|------------|--------|

CHALLENGER

- | | | | |
|-------|-----------------|------------|--------|
| 70-72 | Pair (pictured) | 980-2570-P | 129.95 |
|-------|-----------------|------------|--------|



Check our Website for the Latest Updates: [autometaldirect.com](http://www.autometaldirect.com)

990) Rear Bumper

BARRACUDA

- | | | | |
|-------|----------------|------------|--------|
| 70-71 | | 990-1570 | 279.95 |
| 70-71 | Front/Rear Set | 100-1570-S | 519.95 |
| 1972 | | 990-1572 | 279.95 |
| 1972 | Front/Rear Set | 100-1572-S | 519.95 |
| 1973 | | 990-1573 | 279.95 |
| 1973 | Front/Rear Set | 100-1573-S | 519.95 |
| 1974 | | 900-1574 | 279.95 |
| 1974 | Front/Rear Set | 100-1574-S | 519.95 |

CHALLENGER

- | | | | |
|-------|----------------|------------|--------|
| 70-71 | | 990-2570 | 279.95 |
| 70-71 | Front/Rear Set | 100-2570-S | 519.95 |
| 1972 | | 990-2572 | 279.95 |
| 1972 | Front/Rear Set | 100-2572-S | 519.95 |
| 1973 | | 990-2573 | 279.95 |
| 1973 | Front/Rear Set | 100-2573-S | 519.95 |
| 1974 | | 990-2574 | 279.95 |
| 1974 | Front/Rear Set | 100-2574-S | 519.95 |

101) Bumper Bolt Sets

(Bolt, Flat & Lock Washers, Nut)

- | | | |
|--------------|--------------|-------|
| 16-piece set | 101-1000-165 | 9.95 |
| 24-piece set | 101-1000-245 | 12.95 |
| 32-piece set | 101-1000-325 | 14.95 |



All of our OE Style items are licensed and approved by Chrysler LLC.

Now, get great fitting glass for your Mopar muscle car, with premium quality reproduction glass from the Mopar restoration professionals at Auto Metal Direct! Licensed by Chrysler, all glass includes the authentic Pentastar logo. (not date coded)

MOPAR GLASS

Now you can finally get **quality** reproduction glass for your E-Body Dodge or Plymouth muscle car! For years restorers have been stuck with inaccurate reproduction glass. It was too thin, didn't fit, and lacked the authentic Mopar Pentastar logo. Here at Auto Metal Direct we know that details really do matter, so we are proud to offer the following glass selection, complete with Mopar logo, and licensed by Chrysler! (Not date coded)



499) Complete Glass Kits

BARRACUDA

YEAR	MODEL	PART #	PRICE
70-74	Clear	499-1570-CS	1,199.95
70-74	Tinted	499-1470-TS	1,199.95

CHALLENGER

70-74	Clear	499-2570-CS	1,199.95
70-74	Tinted	499-2570-TS	1,199.95

CONVERTIBLE

70-74	Clear	499-1570-CVS	1,149.95
70-74	Tinted	499-1570-TVS	1,149.95

380) Windshield

E-Body

70-74	Clear	380-1570-C	249.95
70-74	Tinted	380-1570-T	249.95



550) Door Glass

70-74	LH, Clear	550-1570-CL	199.95
70-74	RH, Clear	550-1570-CR	199.95
70-74	LH, Tinted	550-1570-TL	199.95
70-74	RH, Tinted	550-1570-TR	199.95

CONVERTIBLE

70-74	LH, Clear	550-1570-CVL	299.95
70-74	RH, Clear	550-1570-CVR	299.95
70-74	LH, Tinted	550-1570-TVL	299.95
70-74	RH, Tinted	550-1570-TVR	299.95

795) Quarter Glass

BARRACUDA

70-74	LH, Clear	795-1570-CL	149.95
70-74	RH, Clear	795-1570-CR	149.95
70-74	LH, Tinted	795-1570-TL	149.95
70-74	RH, Tinted	795-1570-TR	149.95

CHALLENGER

70-74	LH, Clear	795-2570-CL	149.95
70-74	RH, Clear	795-2570-CR	149.95
70-74	LH, Tinted	795-2570-TL	149.95
70-74	RH, Tinted	795-2570-TR	149.95

CONVERTIBLE

70-74	LH, Clear	795-1570-CVL	199.95
70-74	RH, Clear	795-1570-CVR	199.95
70-74	LH, Tinted	795-1570-TVL	199.95
70-74	RH, Tinted	795-1570-TVR	199.95

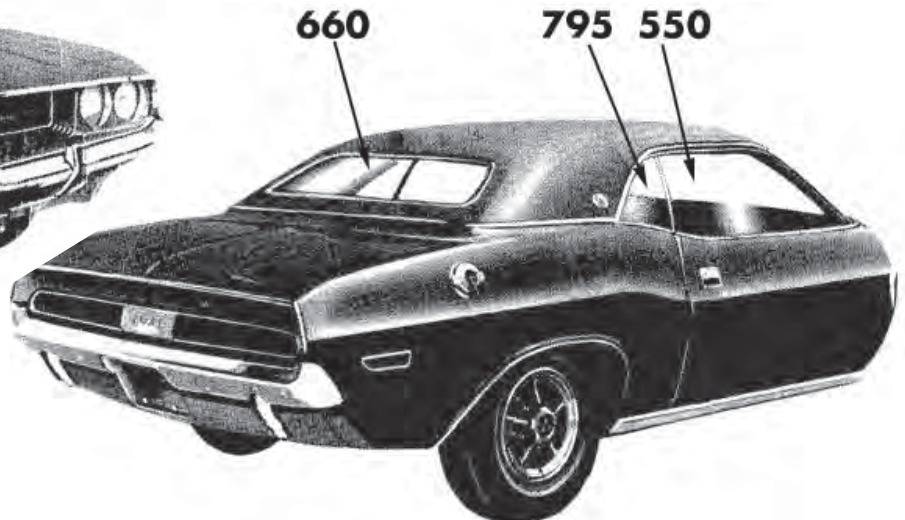
660) Back Glass

BARRACUDA

70-74	Clear	660-1570-C	349.95
70-74	Tinted	660-1570-T	349.95

CHALLENGER

70-74	Clear	660-2570-C	349.95
70-74	Tinted	660-2570-T	349.95

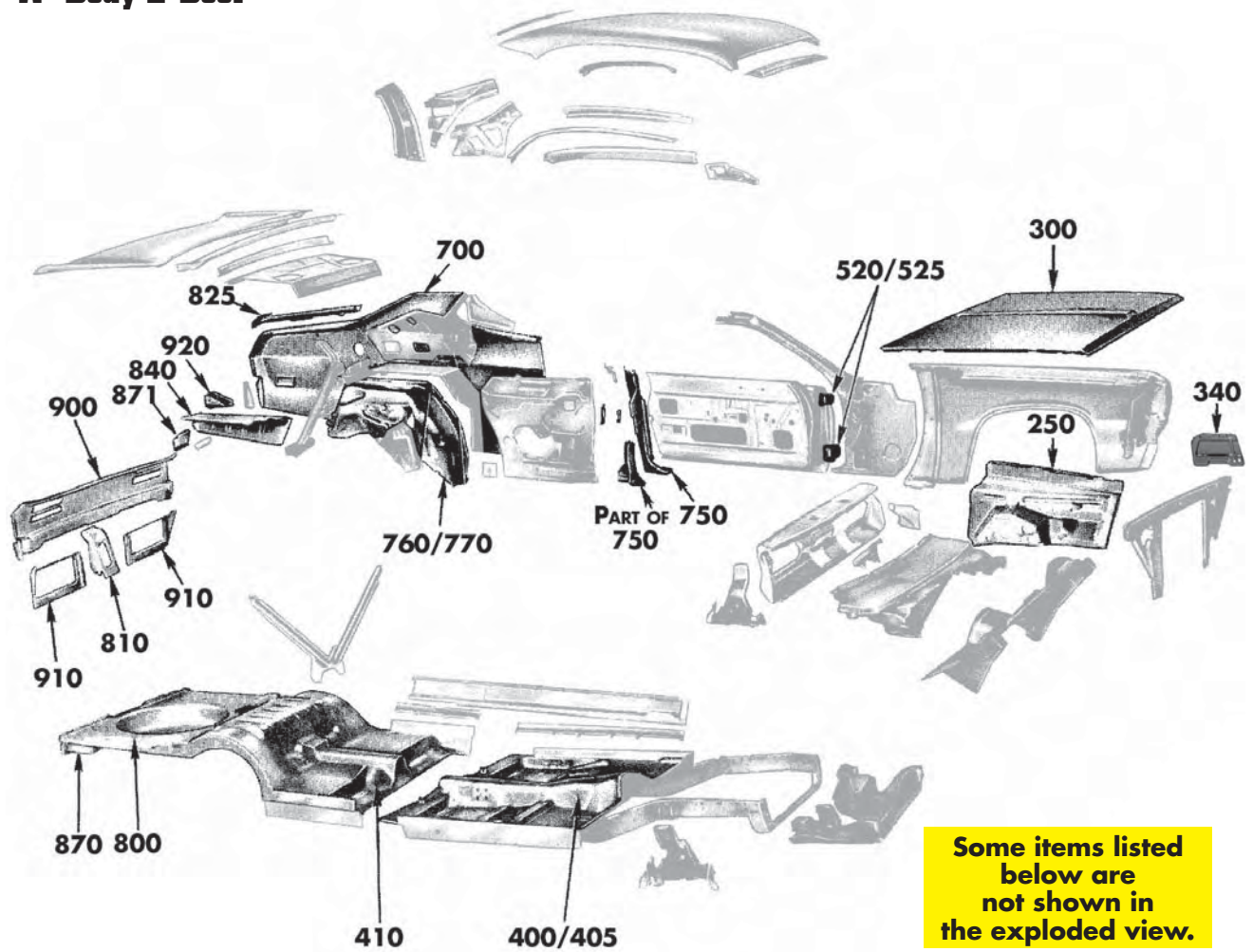


MOPAR, JEEP, DODGE, HEMI, PLYMOUTH, and CHRYSLER are trademarks of Chrysler LLC used under license to Auto Metal Direct, LLC. © Chrysler LLC 2009

5322-H Rafe Banks Drive
Flowery Branch, GA 30542

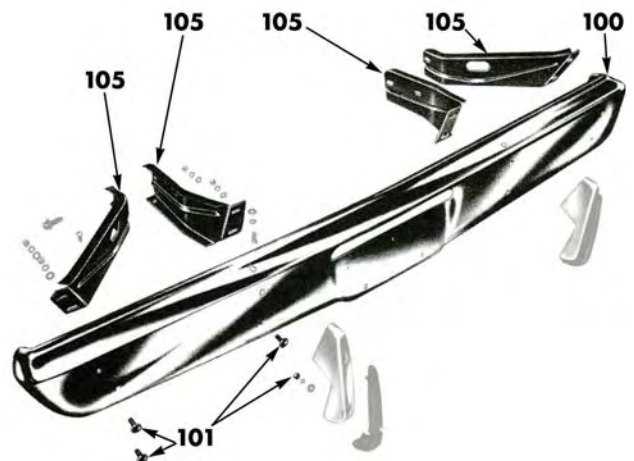
(866) 591-830

1967-76 "A" Body 2-Door



#	Part Description	Page #
100	Front Bumper.....	31
101	Bumper Bolt Sets.....	31
105	Bumper Bracket.....	31
106	Stabilizer Bracket.....	32
125	Front Valance.....	32
250	Front Inner Fender.....	32
300	Hood.....	32
340	Battery Tray.....	32
400	Front Floor Pan, OE Style.....	32
405	Front Floor Pan Halves.....	32
410	Rear Floor Pan/Footwell Area.....	32
415	Four-Speed Shifter Tunnel.....	33
520	Door Hinge, Upper.....	33
525	Door Hinge, Lower.....	33
700	Quarter Panel, OE Style.....	33
750	Door Jamb Pillar.....	33
760	Inner Wheelhouse.....	33
770	Outer Wheelhouse.....	33
800	Trunk Floor, OE Style.....	33
810	Trunk Lock Support.....	33
825	Trunk Gutter.....	34
840	Trunk Floor Extension.....	34
841	Trunk Floor Extension End Cap.....	34
870	Rear Crossmember.....	34
871	Rear Crossmember Extension.....	34
900	Taillight Panel.....	34
910	Taillight Brackets.....	34

#	Part Description	Page #
920	Taillight Panel Reinforcement Brackets.....	34
970	Rear Bumper Bracket Set.....	34
990	Rear Bumper & Bumperettes.....	35
499	Complete Glass Kits.....	35
380	Windshield.....	35
550	Door Glass.....	35
795	Quarter Glass.....	35
660	Back Glass.....	35



"A" BODY

With light weight bodies and hot motors, A-Body Dodge and Plymouth muscle cars quickly became favorites with muscle car lovers. The 273, 318, 340, and 360 engines are the stuff of legend today, and Chrysler's unique slant-six has to be the unchallenged king of all inline six cylinder engines. Add these great engines to stylish body designs, low initial purchase price, and available factory graphics and it's easy to see why these A-Body cars were so popular. Today you can finally get top quality Chrysler-licensed reproduction body panels for your Dodge or Plymouth A-Body, from the restoration professionals at Auto Metal Direct. **Call now!**

Dodge

Dart
Demon
Dart Sport

Plymouth

Barracuda (1967-69 only)
Duster
Valiant

LH = Driver Side
RH = Passenger Side



100) Front Bumper

BARRACUDA

YEAR	MODEL	PART #	PRICE
67-69	also fits rear	100-1267	309.95



67-69	Front/Rear Set.....	100-2067-S	609.95
-------	---------------------	------------	--------

DUSTER



70-71	100-1370	309.95
70-71	Front/Rear Set.....	100-1370-S	609.95
71-72	100-1371	309.95
71-72	Front/Rear Set.....	100-1371-S	609.95

101) Bumper Bolt Sets

(Bolt, Flat & Lock Washers, Nut)

16-piece set.....	101-1000-16S	9.95
24-piece set.....	101-1000-24S	12.95
32-piece set.....	101-1000-32S	14.95



105) Front Bumper Bracket Set



BARRACUDA

67-69	4 pieces	105-1267-S	129.95
67-69	Front/Rear/Outer Set, 10 pieces (pictured).....	105-1267-1S	239.95

DART

67-69	4 pieces	105-2067-S	109.95
67-69	Front/Rear Set, 6 pieces.....	105-2067-1S	189.95



DUSTER

70-72	4 pieces (pictured).....	105-1370-S	109.95
70-72	Front/Rear Set, 8 pieces.....	105-1370-1S	189.95



MOPAR, JEEP, DODGE, HEMI, PLYMOUTH, and CHRYSLER are trademarks of Chrysler LLC used under license to Auto Metal Direct, LLC. © Chrysler LLC 2009

5322-H Rafe Banks Drive
Flowery Branch, GA 30542

(866) 591-8309

106) Stabilizer Bracket
(between fender and bumper)

BARRACUDA

YEAR	MODEL	PART #	PRICE
67-69	Pair (also fits rear)	106-1267-S	19.95



125) Front Valance

BARRACUDA

67-69		125-1267	229.95
-------	--	----------	--------



DART / DEMON

70-72	Dart	125-2070	229.95
71-72	Demon	125-2070	229.95



250) Front Inner Fender

67-74	LH	250-1067-L	199.95
67-74	RH	250-1067-R	199.95
67-74	Pair	250-1067-P	389.95



300) Hood

68-69	Dart GTS, GT & Swinger, also fits 1967	300-2067	599.95
-------	--	----------	--------



340) Battery Tray

67-74		340-1067	29.95
-------	--	----------	-------

Make sure you test fit all items before priming or painting.

400) Front Floor Pan, OE Style

(Complete coverage like original, comes with fastener for speedometer cable)

BARRACUDA

YEAR	MODEL	PART #	PRICE
67-69		400-1267	429.95



DUSTER/DEMON

70-74	(modify for 75-76)	400-1267	429.95
-------	--------------------	----------	--------



DART

(OE Style, does not cover footwell area. See Section 410, below)

67-74	(modify for 75-76)	400-1067	379.95
-------	--------------------	----------	--------

405) Front Floor Pan, halves

(Does not include top area of transmission tunnel)

BARRACUDA

67-69	LH	405-1267-L	174.95
67-69	RH	405-1267-R	174.95

DART (pictured)

67-74	LH (modify for 75-76)	405-1067-L	149.95
67-74	RH (modify for 75-76)	405-1067-R	149.95

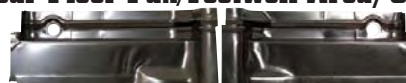
DUSTER / DEMON

70-74	LH (modify for 75-76)	405-1267-L	174.95
70-74	RH (modify for 75-76)	405-1267-R	174.95



410) Rear Floor Pan/Footwell Area, OE Style

67-74	Dart, LH	410-1067-L	59.95
67-74	Dart, RH	410-1067-R	59.95



415) Four Speed Shifter Tunnel



67-74 415-1067 149.95

520) Door Hinge, Upper

67-74 LH..... 520-1067-L 59.95
 67-74 RH..... 520-1067-R 59.95
 67-74 Upper / Lower set,
 4 pieces..... 520-1067-S 199.95



NEW!
 Not Rebuilt

525) Door Hinge, Lower

67-74 LH..... 525-1466-L 89.95
 67-74 RH..... 525-1466-R 89.95
 67-74 Upper / Lower set,
 4 pieces..... 520-1067-S 199.95



700) Quarter Panel, OE Style

(complete coverage like original)



DART

1967 LH (pictured)..... 700-1067-L 499.95
 1967 RH..... 700-1067-R 499.95
 1968 LH..... 700-1068-L 499.95
 1968 RH..... 700-1068-R 499.95
 1969 LH..... 700-1069-L 499.95
 1969 RH..... 700-1069-R 499.95



70-71 LH (pictured)..... 700-1070-L 499.95
 70-71 RH..... 700-1070-R 499.95
 72-76 LH..... 700-1072-L 499.95
 72-76 RH..... 700-1072-R 499.95

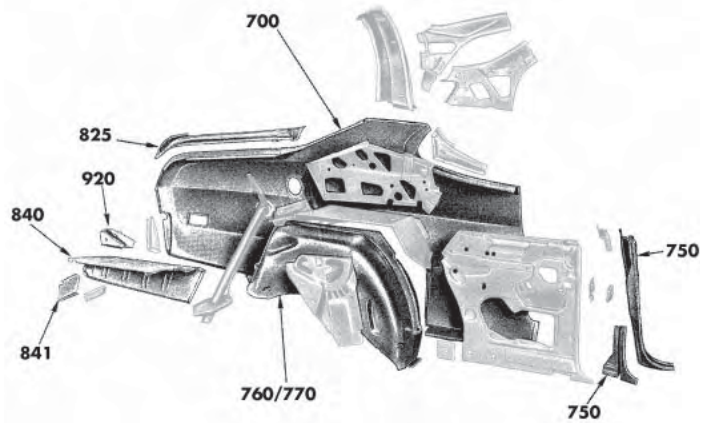


DUSTER / DEMON

70-71 LH..... 700-1370-L 499.95
 70-71 RH..... 700-1370-R 499.95
 72-76 LH..... 700-1372-L 499.95
 72-76 RH..... 700-1372-R 499.95

DART SPORT

73-76 LH..... 700-1372-L 499.95
 73-76 RH..... 700-1372-R 499.95



750) Door Jamb Lock Pillar

DART

67-76 LH..... 750-1067-L 199.95
 67-76 RH..... 750-1067-R 199.95
 73-76 Dart Sport, LH..... 750-1370-L 199.95
 73-76 Dart Sport, RH..... 750-1370-R 199.95

DUSTER / DEMON

70-76 LH (pictured)..... 750-1370-L 199.95
 70-76 RH..... 750-1370-R 199.95



760) Inner Wheelhouse

A-Body

67-76 LH..... 760-1370-L 139.95
 67-76 RH..... 760-1370-R 139.95



770) Outer Wheelhouse

Use when replacing quarter panel

BARRACUDA

67-69 LH..... 770-1267-L 129.95
 67-69 RH..... 770-1267-R 129.95



DART

67-76 LH..... 770-1067-L 129.95
 67-76 RH..... 770-1067-R 129.95
 73-76 Dart Sport, LH..... 770-1267-L 129.95
 73-76 Dart Sport, RH (pictured)..... 770-1267-R 129.95

DUSTER / DEMON

70-76 LH..... 770-1267-L 129.95
 70-76 RH..... 770-1267-R 129.95

800) Trunk Floor, OE Style



A-Body

67-76 (may require slight modifications
 for some models)..... 800-1370 299.95

810) Trunk Lock Support

Use when replacing trunk floor and/or taillight panel

DART

67-69 810-1067 *INQUIRE*
 70-73 810-1070 79.95
 1973 Sport..... 810-1370 79.95

DUSTER / DEMON

70-73 (pictured)..... 810-1370 79.95



MOPAR, JEEP, DODGE, HEMI, PLYMOUTH, and CHRYSLER are trademarks of Chrysler LLC used under license to Auto Metal Direct, LLC. © Chrysler LLC 2009

5322-H Rafe Banks Drive
 Flowery Branch, GA 30542

(866) 591-8309

825) Trunk Gutter

Use when replacing quarter panel

DART

YEAR	MODEL	PART #	PRICE
67-69	(lower 70) LH	825-1067-L	INQUIRE
67-69	(lower 70) RH	825-1067-R	INQUIRE
67-69	(lower 70) Pair	825-1067-S	INQUIRE
70-76	LH	825-1070-L	INQUIRE
70-76	RH	825-1070-R	INQUIRE
70-76	Pair	825-1070-S	INQUIRE
73-76	Sport, LH	825-1370-L	79.95
73-76	Sport, RH	825-1370-R	79.95
73-76	Sport, Pair	825-1370-S	149.95



DUSTER / DEMON

70-76	LH	825-1370-L	79.95
70-76	RH	825-1370-R	79.95
70-76	Pair (pictured)	825-1370-S	149.95

840) Trunk Floor Extension

Use when replacing quarter panel



DART

67-69	LH (pictured, left)	840-1067-L	99.95
67-69	RH (pictured, right)	840-1067-R	99.95
70-74	LH	840-1070-L	99.95
70-74	RH	840-1070-R	99.95
73-76	Dart Sport	840-1370-L	99.95
73-76	Dart Sport	840-1370-R	99.95

DUSTER / DEMON

70-76		840-1370-L	99.95
70-76		840-1370-R	99.95

841) Trunk Floor Extension End Cap

Use when replacing quarter panel



DART

73-76	Dart Sport, LH	841-1370-L	34.95
73-76	Dart Sport, RH	841-1370-R	34.95

DUSTER / DEMON

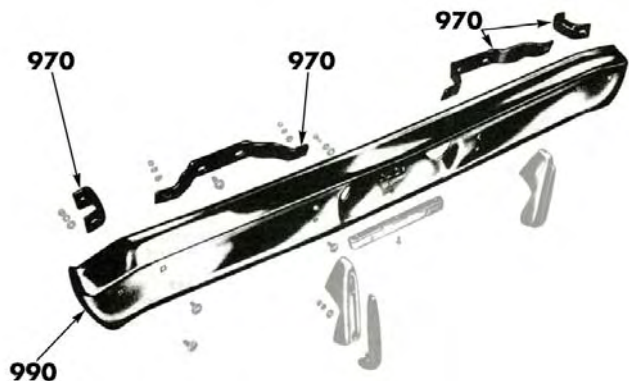
70-76	LH	841-1370-L	34.95
70-76	RH	841-1370-R	34.95

870) Rear Crossmember

67-76		870-1067	199.95
-------	--	----------	--------

871) Rear Crossmember Extension

67-76	Pair	871-1067-P	39.95
-------	------	------------	-------



900) Taillight Panel

DEMON



71-72		900-2371	299.95
-------	--	----------	--------

DUSTER



70-71		900-1370	299.95
-------	--	----------	--------



1972		900-1372	299.95
------	--	----------	--------



1973	(modify for 74-76)	900-1373	299.95
------	--------------------	----------	--------

910) Taillight Brackets

Use when replacing taillight panel

DEMON

71-72	LH (pictured)	910-1370-L	79.95
71-72	RH	910-1370-R	79.95



DUSTER

70-71	LH	910-1370-L	79.95
70-71	RH	910-1370-R	79.95
1972	LH (pictured)	910-1372-L	79.95
1972	RH	910-1372-R	79.95



920) Taillight Panel Reinforcement Brackets

Use when replacing trunk floor

DART

67-72	Pair	920-1067-S	59.95
73-76	Sport, Pair	920-1370-S	59.95



DUSTER / DEMON

70-76	Pair (pictured)	920-1370-P	59.95
-------	-----------------	------------	-------

970) Rear Bumper Bracket Set

BARRACUDA



67-69	2 pieces	970-1267-S	99.95
-------	----------	------------	-------



67-69	Front/Rear/Outer Set, 10 pieces	105-1267-1S	239.95
-------	---------------------------------	-------------	--------

DART

67-69	2 pieces	970-2067-S	89.95
67-69	Front/Rear Set, 6 pieces	105-2067-1S	179.95

DUSTER

70-72	4 pieces	970-1370-S	89.95
70-72	Front/Rear Set, 8 pieces	105-1370-1S	189.95



Our Name Says It All!™

www.autometaldirect.com

106) Stabilizer Bracket

(between bumper and quarter panel)

67-69 Barracuda, Pair
(also fits front)..... 106-1267-S 19.95



990) Rear Bumper & Bumperettes

BARRACUDA

67-69 (also fits front)..... 990-1267 309.95
67-69 Front/Rear Set..... 100-1267-S 609.95

DUSTER

70-71 990-1370 309.95
70-71 Front/Rear Set..... 100-1370-S 609.95
71-72 990-1371 309.95
71-72 Front/Rear Set..... 990-1371-S 609.95

MOPAR GLASS

Now you can finally get **quality** reproduction glass for your A-Body Dodge or Plymouth muscle car! For years restorers have been stuck with inaccurate reproduction glass. It was too thin, didn't fit, and lacked the authentic Mopar Pentastar logo. Here at Auto Metal Direct we know that details really do matter, so we are proud to offer the following glass selection, complete with Mopar logo, and *licensed by Chrysler!* (Not date coded)



499) Complete Glass Kits

DART SPORT

YEAR	MODEL	PART #	PRICE
73-74	Clear	499-1373-CS	999.95
73-74	Tinted	499-1373-TS	999.95

DEMON

70-72	Clear	499-1370-CS	999.95
70-72	Tinted	499-1370-TS	999.95

DUSTER

70-72	Clear	499-1370-CS	999.95
70-72	Tinted	499-1370-TS	999.95
73-74	Clear	499-1373-CS	999.95
73-74	Tinted	499-1373-TS	999.95

380) Windshield

BARRACUDA

67-69	Clear	380-1067-C	199.95
67-69	Tinted	380-1067-T	199.95

DART

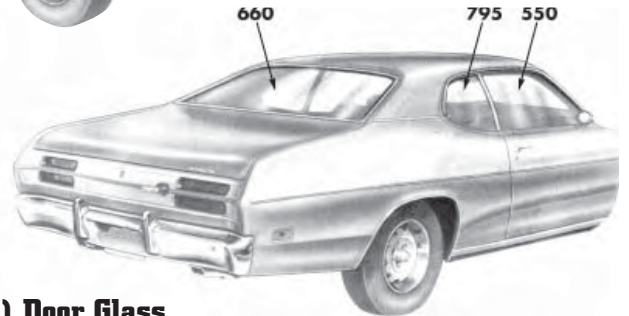
67-76	Clear	380-1067-C	199.95
67-76	Tinted	380-1067-T	199.95
70-76	Dart Sport, Clear	380-1370-C	199.95
70-76	Dart Sport, Tinted	380-1370-T	199.95

DUSTER / DEMON

70-76	Clear	380-1370-C	199.95
70-76	Tinted	380-1370-T	199.95



Now, get great-fitting glass for your Mopar muscle car, with this premium quality reproduction glass from the Mopar restoration professionals at Auto Metal Direct! Licensed by Chrysler, this glass includes the authentic Pentastar logo.



550) Door Glass

DART SPORT

YEAR	MODEL	PART #	PRICE
73-74	LH, Clear (5 hole)	550-1373-CL	179.95
73-74	RH, Clear (5 hole)	550-1373-CR	179.95
73-74	LH, Tinted (5 hole)	550-1373-TL	179.95
73-74	RH, Tinted (5 hole)	550-1373-TR	179.95

DEMON

70-72	LH, Clear (6 hole)	550-1370-CL	179.95
70-72	RH, Clear (6 hole)	550-1370-CR	179.95
70-72	LH, Tinted (6 hole)	550-1370-TL	179.95
70-72	RH, Tinted (6 hole)	550-1370-TR	179.95

DUSTER

70-72	LH, Clear (6 hole)	550-1370-CL	179.95
70-72	RH, Clear (6 hole)	550-1370-CR	179.95
70-72	LH, Tinted (6 hole)	550-1370-TL	179.95
70-72	RH, Tinted (6 hole)	550-1370-TR	179.95
73-74	LH, Clear (5 hole)	550-1373-CL	179.95
73-74	RH, Clear (5 hole)	550-1373-CR	179.95
73-74	LH, Tinted (5 hole)	550-1373-TL	179.95
73-74	RH, Tinted (5 hole)	550-1373-TR	179.95

795) Quarter Glass

DART SPORT

73-76	LH, Clear	795-1373-CL	139.95
73-76	RH, Clear	795-1373-CR	139.95
73-76	LH, Tinted	795-1373-TL	139.95
73-76	RH, Tinted	795-1373-TR	139.95

DEMON

70-72	LH, Clear	795-1370-CL	139.95
70-72	RH, Clear	795-1370-CR	139.95
70-72	LH, Tinted	795-1370-TL	139.95
70-72	RH, Tinted	795-1370-TR	139.95

DUSTER

70-72	LH, Clear	795-1370-CL	139.95
70-72	RH, Clear	795-1370-CR	139.95
70-72	LH, Tinted	795-1370-TL	139.95
70-72	RH, Tinted	795-1370-TR	139.95
73-76	LH, Clear	795-1373-CL	139.95
73-76	RH, Clear	795-1373-CR	139.95
73-76	LH, Tinted	795-1373-TL	139.95
73-76	RH, Tinted	795-1373-TR	139.95

660) Back Glass

DART SPORT / DUSTER / DEMON

70-76	Clear	660-1370-C	249.95
70-76	Tinted	660-1370-T	249.95



5322-H Rafe Banks Drive
Flowery Branch, GA 30542

(866) 591-8309



Our huge new warehouse is jammed full of beautiful new sheet metal panels for Dodge and Plymouth muscle cars. If you live in the southeastern US, why not come on by and pick up your body panels in person? Save those shipping dollars to buy parts you'll need to finish your car!

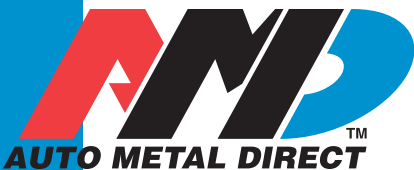


MIG welding automotive sheet metal has just become a lot less frustrating. Shot in HD, this DVD combines the clear vision of the helmet cam and the easy teaching style of nationally recognized car builder, Craig Hopkins. You quickly learn professional techniques because you see and hear about methods that will improve your welding. No matter what your skill level, this DVD will help you get professional results!

Welding video 19.95



Now Available!



Our Name Says It All!™ www.autometaldirect.com



Ordering

You may order by phone, fax or internet. Double-check your order before contacting us. Make sure you didn't miss that extra tail light bracket or support that you needed, and then give us a call. Ordering everything at once can save you a lot on shipping. Call us to place your order toll free at (866) 591-8309, mail in your order form, fax your order to (770) 692-6360, or email us at sales@autometaldirect.com.

MAIL IN ORDERS SHOULD BE SENT TO:

5322 Rafe Banks Dr., Unit H,
Flowery Branch, GA 30542

Prices

Due to unforeseeable price increases associated with manufacturing, all prices are subject to change without prior notification. Call to ensure up-to-date pricing and to check product availability. The pricing in this catalog supersedes any previous publication.

Payment

We accept MasterCard, Visa, American Express, and Discover. We also accept payment via money order, cashiers check, or personal check. **AM** reserves the right to hold orders paying by personal check for 3-5 days to allow for clearance. Sorry, we cannot ship any orders COD.

Shipping

We ship small parcels via FedEx Ground. FedEx Next-Day Air and 2nd Day Air also available. Please ask your sales representative if you would like a faster service than ground. **AM** will charge you actual shipping rates established by FedEx Ground. We do not have a standardized shipping schedule based on order size. We are able to send FedEx orders into Canada.

Orders too large to ship by FedEx (Hoods, Fenders, Full Floors, etc.) will be shipped via Truck Freight. The truck freight carrier will be determined at the time of shipping. We can ship your order to your house, but truck freight fees for orders sent to a business located in a zoned commercial area are substantially lower. Like with FedEx, we do not have a standardized shipping schedule based on size or location. Please call us for a shipping quote prior to ordering.

Damages

You must inspect all truck freight shipments for damage at the time of delivery! If your shipment contains damage, please mark 'Damaged' on the freight bill and call us immediately at 866-591-8309. You **MUST** sign the freight bill as damaged in order for us to help you file a claim with the truck carrier! If you sign the freight bill free of damage, **AM** and the delivering truck company are not responsible for damages.

Additional Boxing Fees

Due to the fragile nature of glass, we have gone the extra mile in packaging orders that contain glass kits and individual pieces. The following charges will be added to glass orders. This fee is to cover the cost of the protective packaging and will be added to the actual shipping fee.

- Windshield/Back Glass Add \$30.00
- Complete Glass Kit Add \$50.00

Returns

You may return any unused, undamaged, and resalable part in its original packaging for exchange credit or refund up to 6 months after purchase. Orders approved after 6 months are subject to a 20% restocking fee. All returns must have prior approval before returning them to us. Shipping fees that are incurred from returning any part to us is your responsibility. Finally, if the return shipment is damaged in transit, you are responsible for filing the claim with the carrier.

All **AM items are made on our own steel tools.**

Parts Guarantee

All **AM** products are guaranteed to be free from defects in material and workmanship. Test fit all parts before sanding, priming, or painting them. If we deem your part defective, our responsibility is to replace the part, issue credit, or refund the original purchase price. We are not responsible for any paint or labor expenses. The credit or refund amount will not exceed the defective parts original purchase price.

Backorders

Any items not available at the time the order is placed will be put on backorder. All backordered parts that ship after the original shipment will be subject to additional shipping fees. Backorders will not be shipped without your prior authorization. Please let us know if you do not wish to receive backorders.

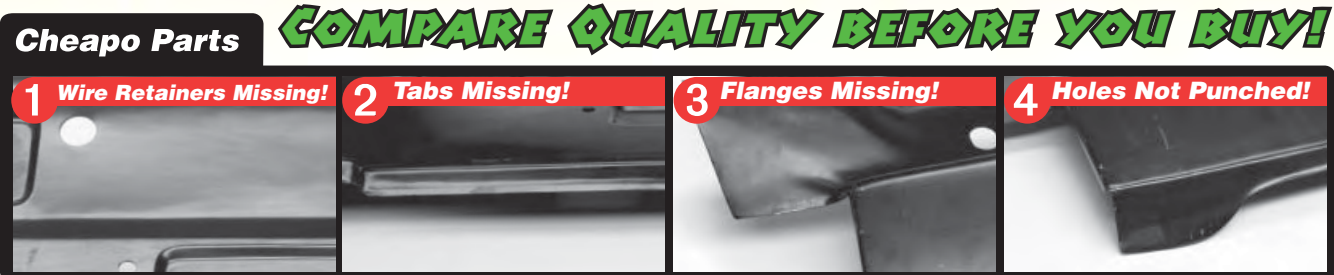


THE DETAILS MAKE OUR PARTS SUPERIOR!

Don't settle for incorrect, *lightweight* cheapo parts for your MOPAR muscle car. Get premium sheet metal parts for your Dodge or Plymouth, from Auto Metal Direct (AMD). Our panels include all correct-as-original clips, tabs, flanges, bends, and seams. We often wonder how other manufacturers expect you to replace those original tabs and clips which were rusted off on your original. It would be nearly impossible to do so correctly, especially on lighter-weight-than-original steel panels!



Call AMD today, or visit our website for full details.



Want your new AMD body parts installed *RIGHT?*
C. HOPKINS
 (706) 348-6653 – online at cHopcars1.com



5322-H Rafe Banks Dr. • Flowery Branch, GA 30542
(866) 591-8309
www.autometaldirect.com

PLYMOUTH & DODGE BODY PANELS



B-Body



E-Body



A-Body



Auto Metal Direct

5322-H Rafe Banks Dr. • Flowery Branch, GA 30542

Call
Toll Free: **(866) 591-8309**

www.autometaldirect.com

