

# FORD® BRONCO™ & TRUCK



***\* Non Stocking Product Line \****  
***Special Order Only***

Golden Leaf Automotive

# 2011

# Ford® Truck & Bronco® Index

## **B**

Bumpers: 1

## **C**

Cowl Panels: 4

## **D**

Dash Panels: 4

Decals, Sill Plate: 17

Doors & Hardware: 8, 9

Door Accessories (Handles & Cranks): 11

Door Window Frames: 10

## **E**

Engine Compartment: 1

## **F**

Fenders (Bronco): 2

Fenders (Truck): 17

Fender Aprons: 2

Floor Pans & Components: 5

Fuel Sending Units: 13

## **G**

Grille & Components (Bronco): 13

Grille Molding (Truck): 17

## **H**

Heater Box: 14

Hoods & Components: 3, 4

## **I**

Inner Fenders: 3

## **M**

Mirror, Interior: 14

Mirrors, Exterior: 13

## **P**

Pedal & Shifter Components: 14

## **Q**

Quarter Panels & Components: 11, 12

## **R**

Radiator Support: 1

Rocker Panels: 6

Roof Panel: 7

## **S**

Seat Belts: 16

Seat Components: 15

## **V**

Vent Window Assemblies: 10

## **W**

Wheelhouses: 12

Wheel Opening Moldings (Truck): 18

Window Frames: 6, 7

Ford Oval and Mustang  
are registered trademarks  
owned by Ford Motor  
Company.





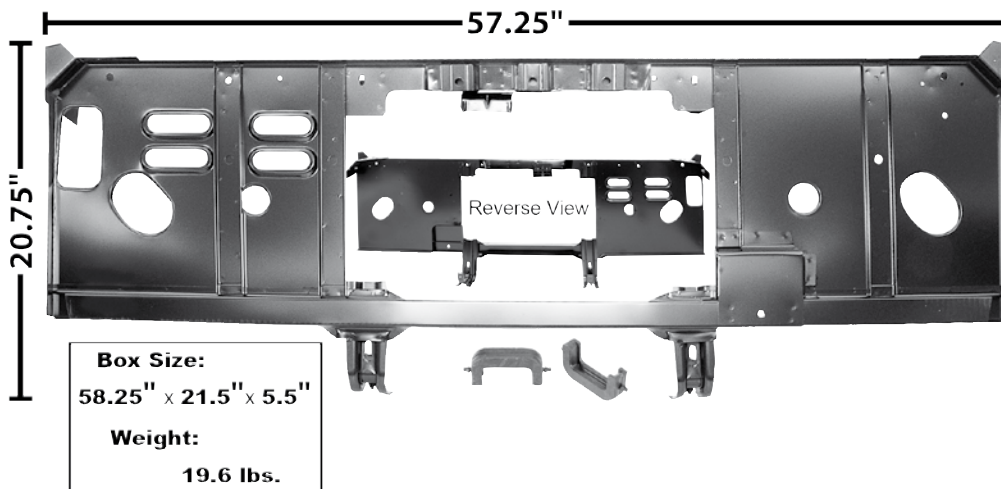
## Bumpers

3700



3700		1966-77	Front or Rear Bumper, Chrome	Bronco®	<b>MSRP \$170.00 ea</b>
3701	New	1966-77	Front or Rear Bumper, Painted	Bronco®	<b>MSRP \$119.00 ea</b>

## Radiator Support



**Box Size:**  
58.25" x 21.5" x 5.5"  
**Weight:**  
19.6 lbs.

3709	New	1966-77	Radiator Support	Bronco®	<b>MSRP \$392.00 ea</b>
------	-----	---------	------------------	---------	-------------------------

## Engine Compartment



M3537A	New	1966-77	Battery "J" Bolt Kit		<b>MSRP \$9.00 kit</b>
M3537	New	1966-69	Battery Hold-Down		<b>MSRP \$10.00 ea</b>
3704	New	1966-77	Battery Tray Bottom	Bronco®	<b>MSRP \$27.00 ea</b>
M33884	New	1966-71	Blower Motor/Fan Assembly	Bronco®	<b>MSRP \$102.00 ea</b>
M33889	New	1969-77	Windshield Wiper Motor	Bronco®	<b>MSRP \$102.00 ea</b>



## Fenders



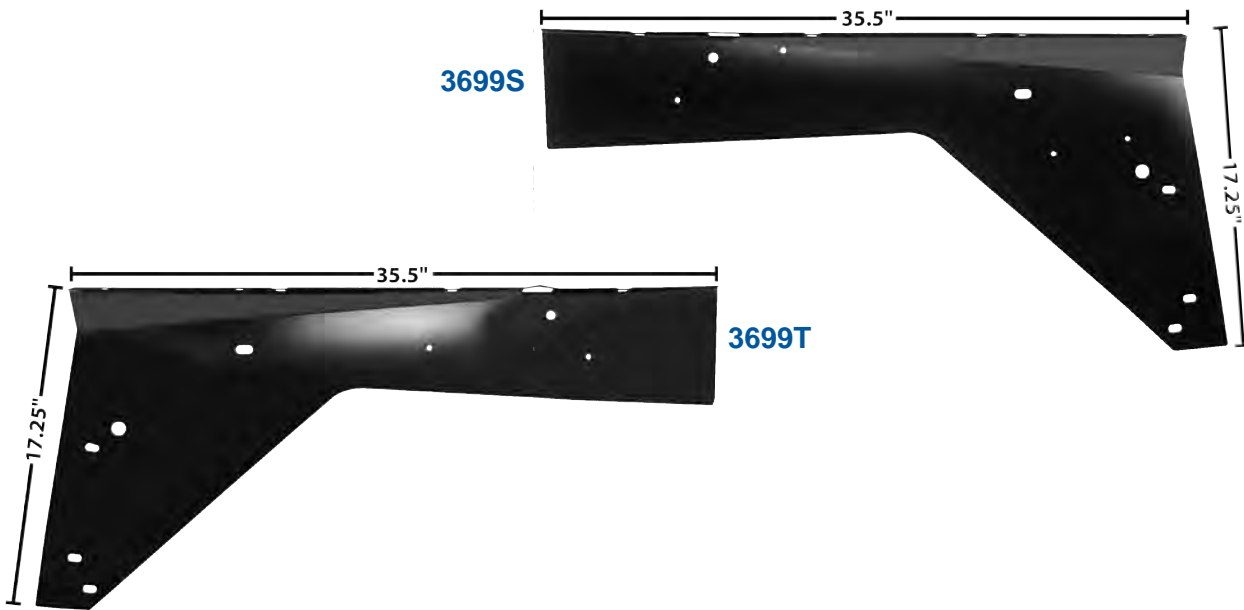
**Box Size:**  
51.5" x 31" x 8"  
**Weight:**  
19.4 lbs.



**Box Size:**  
51.5" x 31" x 8"  
**Weight:**  
19.4 lbs.

3699N	New	1966-77	Front Fender, RH <small>Bronco®</small>	<b>MSRP \$274.00 ea</b>
3699P	New	1966-77	Front Fender, LH <small>Bronco®</small>	<b>MSRP \$274.00 ea</b>
3709A	New	1966-77	Fender-to-Radiator Braces, 3 pcs. <small>Bronco®</small>	<b>MSRP \$57.00 set</b>

## Fender Aprons



3699S	New	1966-67	Fender Apron, RH <small>Bronco®</small>	<b>MSRP \$135.00 ea</b>
3699T	New	1966-67	Fender Apron, LH <small>Bronco®</small>	<b>MSRP \$135.00 ea</b>

Muscle Car Parts & Molding • Muscle Car Parts & Molding • Muscle Car Parts & Molding



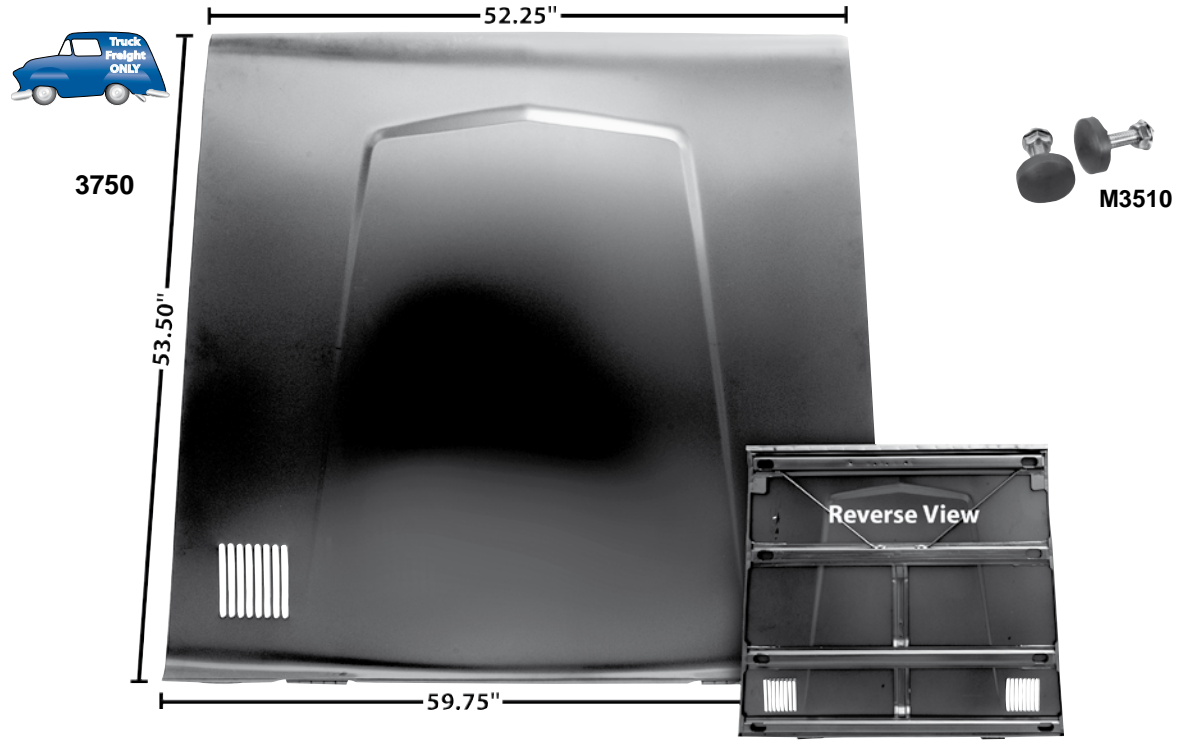
Muscle Car Parts & Molding • Muscle Car Parts & Molding • Muscle Car Parts & Molding

Front Inner Fenders



3699Q	New	1966-67	Front Inner Fender, RH	Bronco®	<b>MSRP \$187.00 ea</b>
3699R	New	1966-67	Front Inner Fender, LH	Bronco®	<b>MSRP \$187.00 ea</b>

Hoods & Components

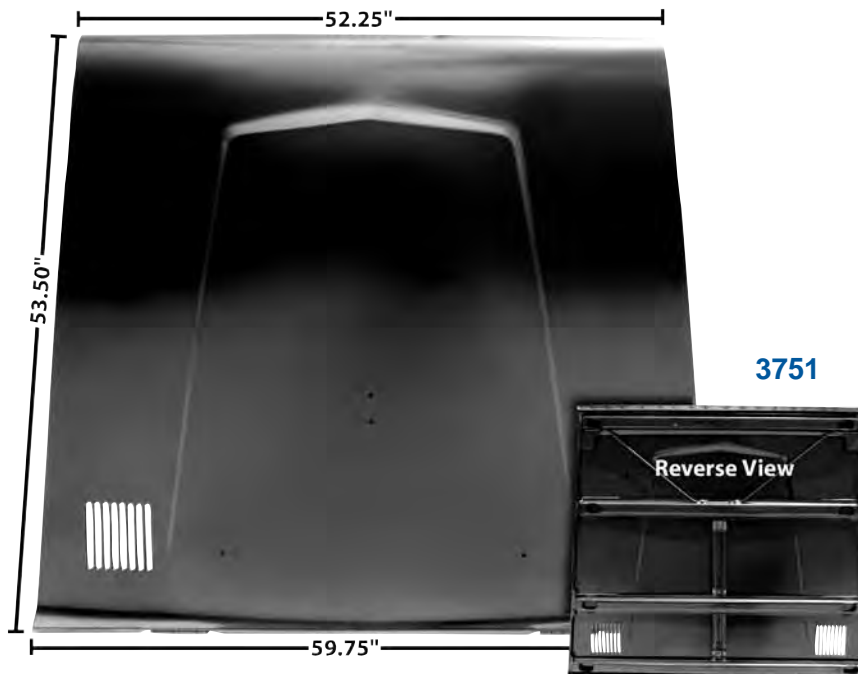


3750	1966-77	Hood,	Bronco®	<b>MSRP \$445.00 ea</b>
M3510	1968-77	Hood Adjuster Bumpers (on radiator)		<b>MSRP \$7.00 pr</b>

*Hoods & Components continued on pg. B4...*



## Hoods & Components



3751	New	1966-69	Hood with Windshield Hook Holes, Bronco®	<b>MSRP \$445.00 ea</b>
M3510		1968-77	Hood Adjuster Bumpers (on radiator)	<b>MSRP \$7.00 pr</b>

## Cowl Panels



3734	New	1966-67	Lower Cowl Panel, Bronco®	<b>Coming Soon!</b>
3732	New	1966-77	Windshield Mount Cowl, Bronco®	<b>MSRP \$274.00 ea</b>
3733	New	1966-77	Windshield Wiper Transmission Arm Bronco®	<b>MSRP \$135.00 ea</b>
3735	New	1968-77	Lower Cowl Panel, Bronco®	<b>Coming Soon!</b>

## Dash Panels

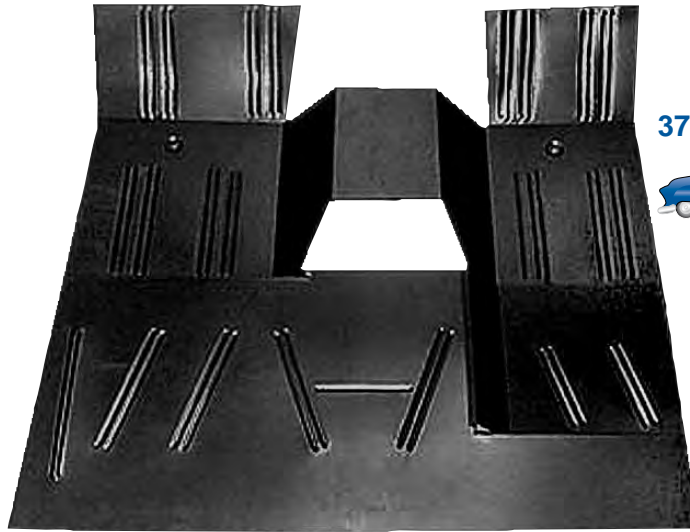


3724	New	1968-77	Dash Panel Assembly, Bronco®	<b>Coming Soon!</b>
------	-----	---------	------------------------------	---------------------

Muscle Car Parts & Molding • Muscle Car Parts & Molding • Muscle Car Parts & Molding



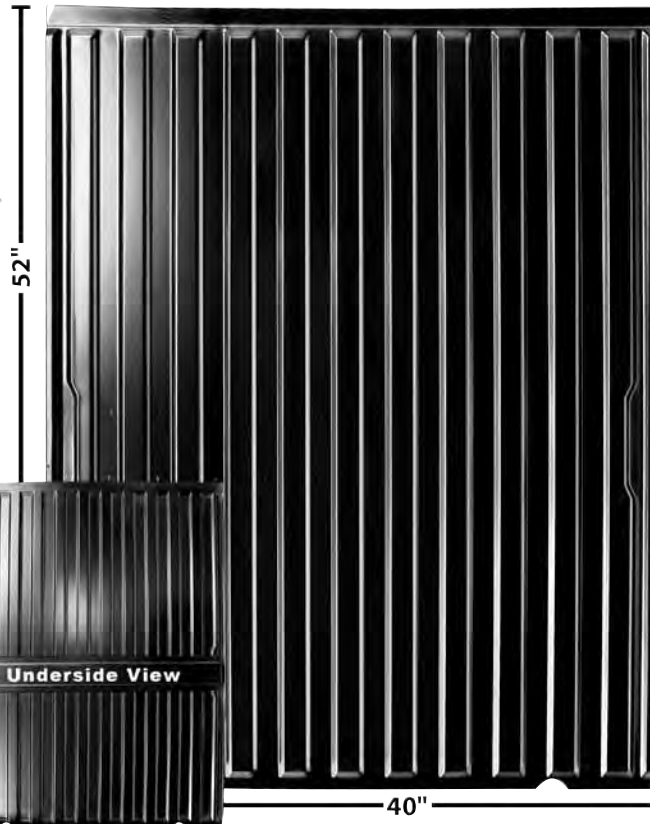
3742



3741

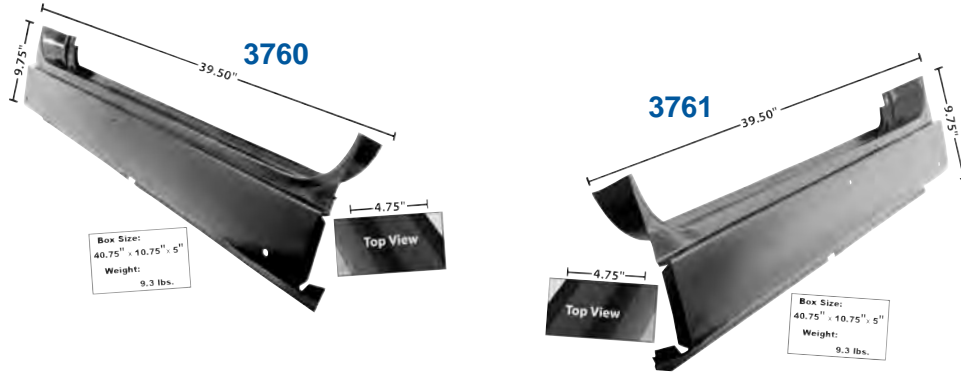


3740



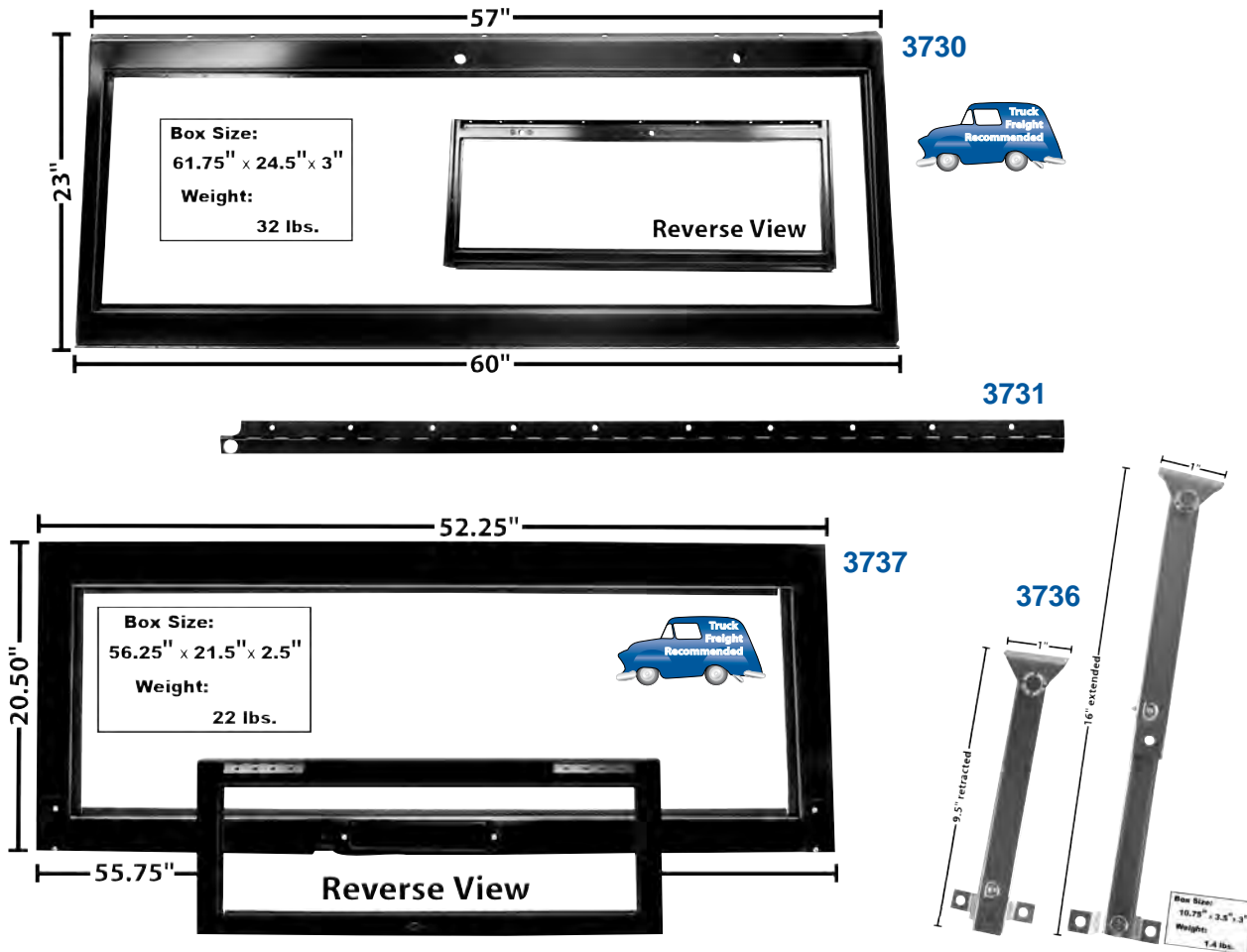
3741	New	1966-77	Front Floor Pan	Bronco®	<i>Coming Soon!</i>
3740	New	1966-77	Rear Floor Pan	Bronco®	MSRP \$394.00 ea
3742	New	1966-77	Rear Floor Crossrail	Bronco®	MSRP \$170.00 ea
3743	New	1968-77	Floor Pan	Bronco®	<i>Coming Soon!</i>

## Rocker Panels



3760	New	1966-77	Rocker Panel, RH	Bronco®	MSRP \$77.00 ea
3761	New	1966-77	Rocker Panel, LH	Bronco®	MSRP \$77.00 ea

## Window Frames



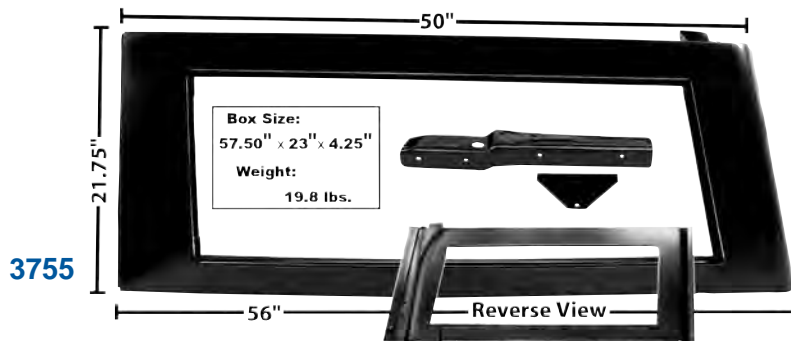
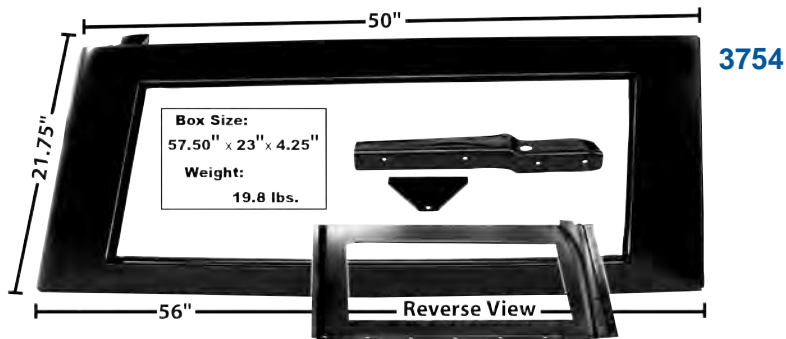
3730	New	1966-77	Windshield Frame	Bronco®	MSRP \$515.00 ea
3731	New	1966-77	Windshield Frame Hinge	Bronco®	MSRP \$77.00 ea
3737	New	1966-77	Rear Window Frame	Bronco®	MSRP \$515.00 ea
3736	New	1966-77	Rear Window Props, pr.	Bronco®	MSRP \$67.00 pr

Muscle Car Parts & Molding • Muscle Car Parts & Molding • Muscle Car Parts & Molding





Window Frames

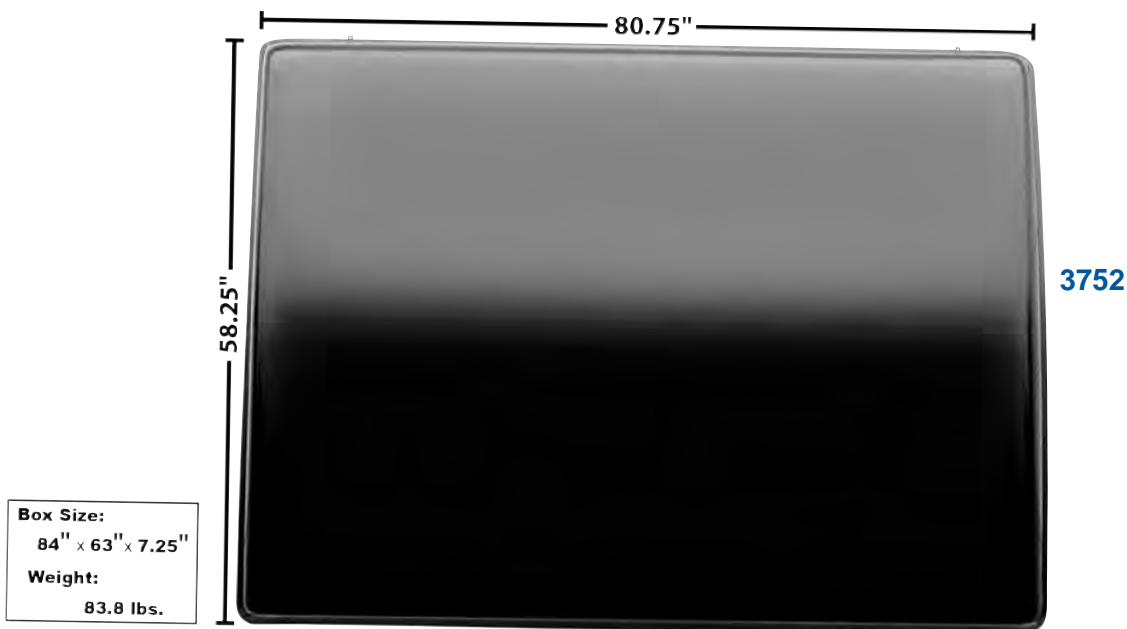


3754	New	1966-77	Top Side Window Panel, RH (Includes mounting bracket & gusset) Bronco®	<b>MSRP \$285.00 ea</b>
3755	New	1966-77	Top Side Window Panel, LH (Includes mounting bracket & gusset) Bronco®	<b>MSRP \$285.00 ea</b>

Muscle Car Parts & Molding • Muscle Car Parts & Molding • Muscle Car Parts & Molding

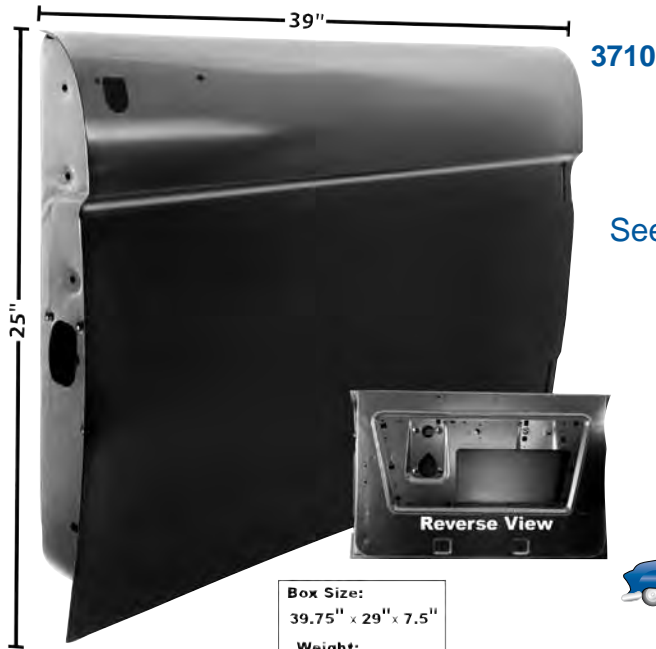


Roof Panel



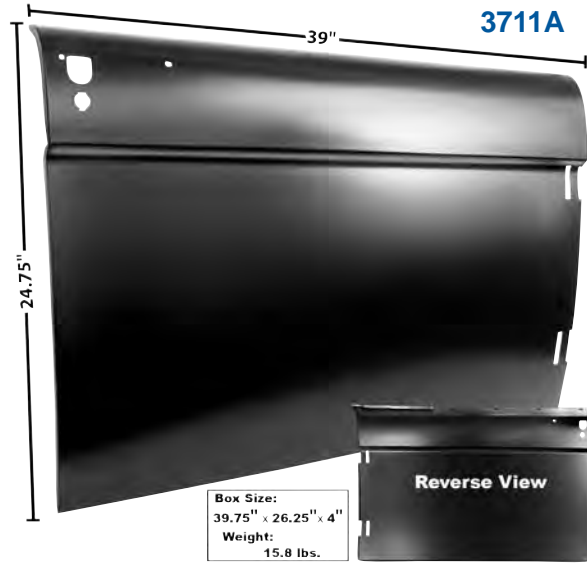
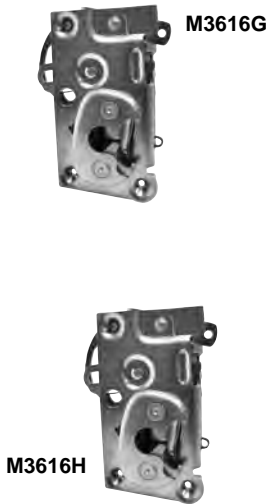
3752	New	1966-77	Roof Panel Bronco®	<b>MSRP \$755.00 ea</b>
3753	New	1966-77	Roof Panel Assembly Bronco®	<b>Coming Soon!</b>

1966-67



See pg. B10 for Bolt-In Window Frames...

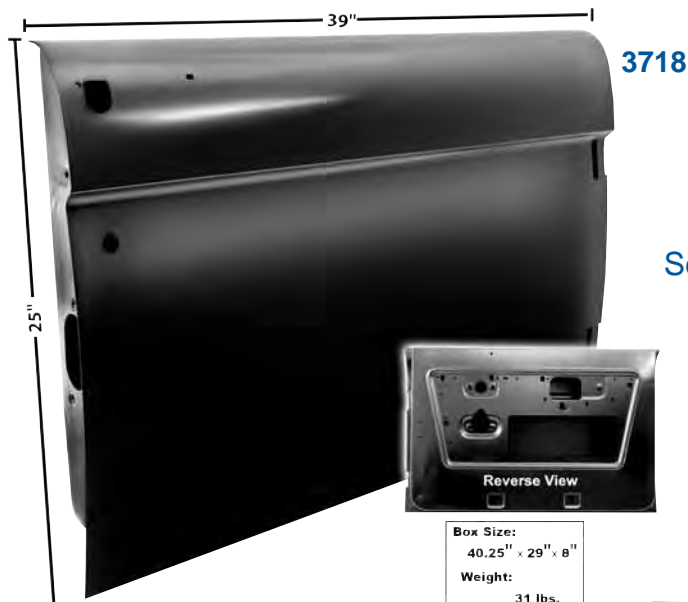
**Box Size:**  
39.75" x 29" x 7.5"  
**Weight:**  
37.9 lbs.



**Box Size:**  
39.75" x 26.25" x 4"  
**Weight:**  
15.8 lbs.

See pg. B11 for Door Accessories...

3710	New	1966-67	Door Shell, RH	Bronco®	MSRP \$474.00 ea
3711	New	1966-67	Door Shell, LH	Bronco®	MSRP \$474.00 ea
3711A	New	1966	Door Skin, RH	Bronco®	MSRP \$170.00 ea
3711B	New	1966	Door Skin, LH	Bronco®	MSRP \$170.00 ea
3719D	New	1966-77	Door Inner Panel, RH	Bronco®	MSRP \$170.00 ea
3719E	New	1966-77	Door Inner Panel, LH	Bronco®	MSRP \$170.00 ea
3716	New	1966-67	Door Post "B" Pillar (Includes latch striker)	Bronco®	MSRP \$135.00 ea
M3616G		1966-67	Door Latch, RH		MSRP \$55.00 ea
M3616H		1966-67	Door Latch, LH		MSRP \$55.00 ea



3718

See pg. B10 for Bolt-In Window Frames...



Box Size:  
40.25" x 29" x 8"  
Weight:  
31 lbs.

3719A



See pg. B11 for Door Accessories...



3717



3715

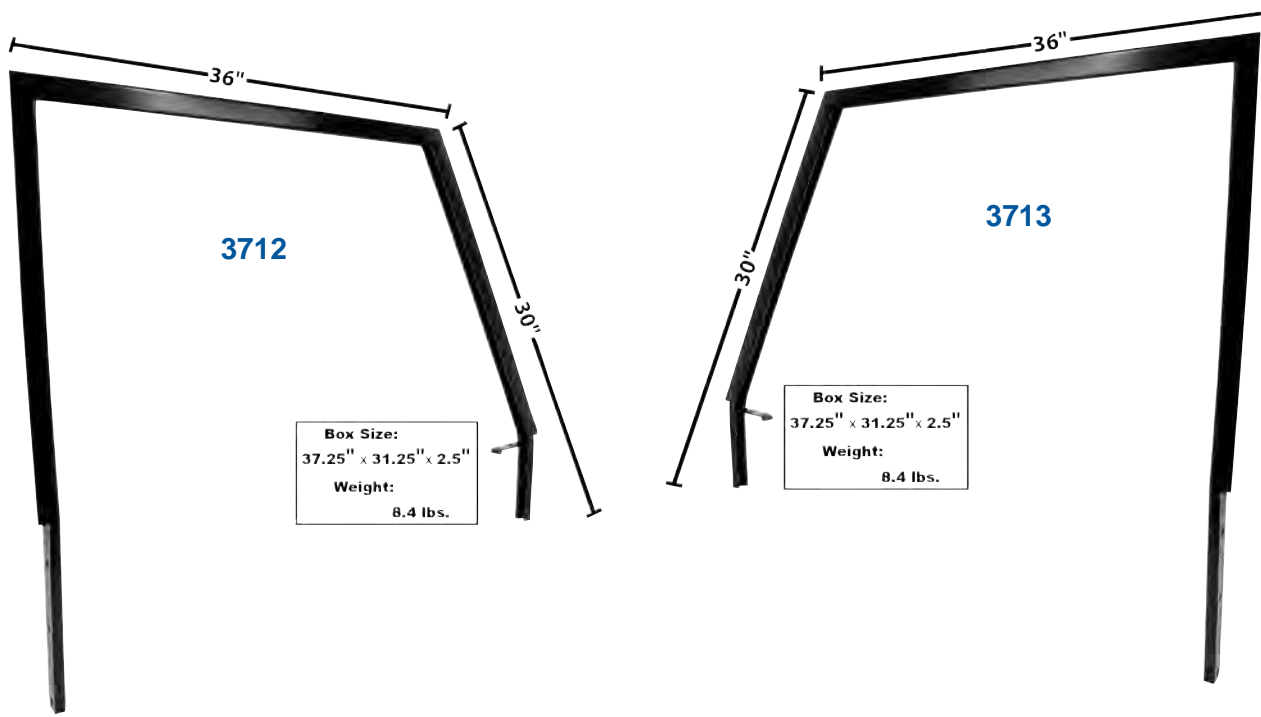


M3546

3718	New	1968-77	Door Shell, RH	Bronco®	MSRP \$462.00 ea
3719	New	1968-77	Door Shell, LH	Bronco®	MSRP \$462.00 ea
3719A	New	1968-77	Door Skin, RH	Bronco®	MSRP \$170.00 ea
3719B	New	1968-77	Door Skin, LH	Bronco®	MSRP \$170.00 ea
3719D	New	1966-77	Door Inner Panel, RH	Bronco®	MSRP \$170.00 ea
3719E	New	1966-77	Door Inner Panel, LH	Bronco®	MSRP \$170.00 ea
3717	New	1968-77	Door Post "B" Pillar (Includes latch striker)	Bronco®	MSRP \$135.00 ea
3719C	New	1968-77	Door Jamb, pair	Bronco®	Coming Soon!
3714	New	1968-77	Door Latch, RH	Bronco®	MSRP \$85.00 ea
3715	New	1968-77	Door Latch, LH	Bronco®	MSRP \$85.00 ea
M3546		1968-77	Door Striker Set		MSRP \$20.00 set

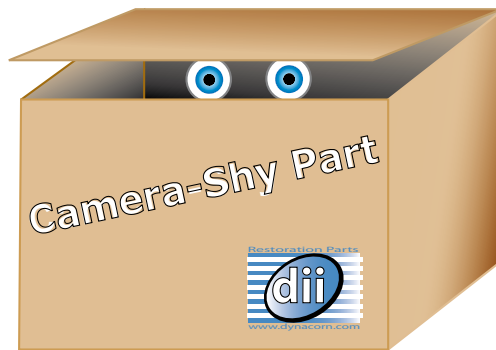


## Door Window Frames



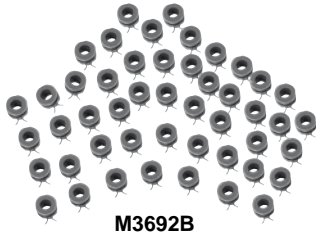
3712	New	1966-68	Door Window Frame (Bolt In), RH Bronco®	<b>MSRP \$169.00 ea</b>
3713	New	1966-68	Door Window Frame (Bolt In), LH Bronco®	<b>MSRP \$169.00 ea</b>

## Vent Window Assemblies



3722	New	1966-68	Vent Window Assembly, RH Bronco®	<b>MSRP \$290.00 ea</b>
3723	New	1966-68	Vent Window Assembly, LH Bronco®	<b>MSRP \$290.00 ea</b>

Muscle Car Parts & Molding • Muscle Car Parts & Molding • Muscle Car Parts & Molding



M3692B



M3529C



M3616

(Reuse internal mechanism)

M3692B	1966-77	Window Rollers & Clips, 50 ct bag	<b>MSRP \$35.00 bag</b>
M3529C	1966-67	Vent Window Handles	<b>MSRP \$30.00 pr</b>
M3616	1966-67	Exterior Door Handles	<b>MSRP \$37.00 pr</b>

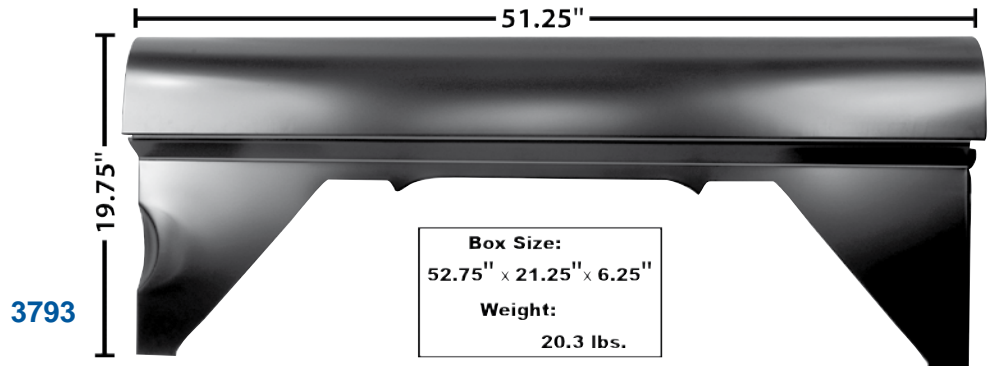
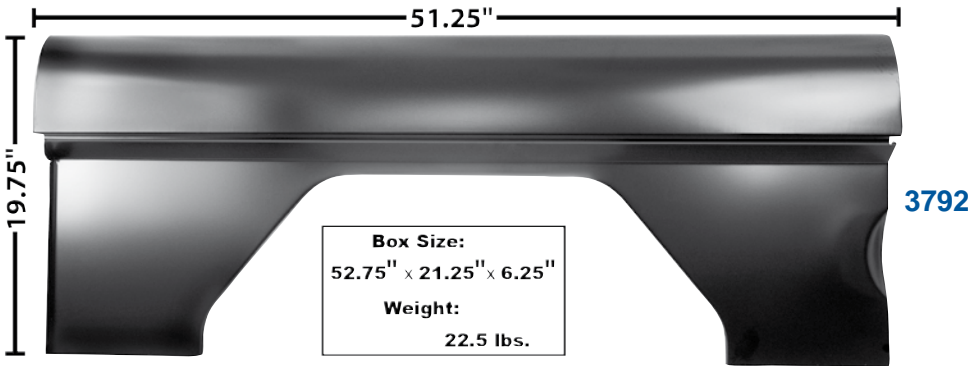


M3529D



M3528

M3529D	1968-77	Vent Window Handles, without Nylon	<b>MSRP \$30.00 pr</b>
M3528	1968-77	Door Window Crank (No knob)	<b>MSRP \$10.00 ea</b>

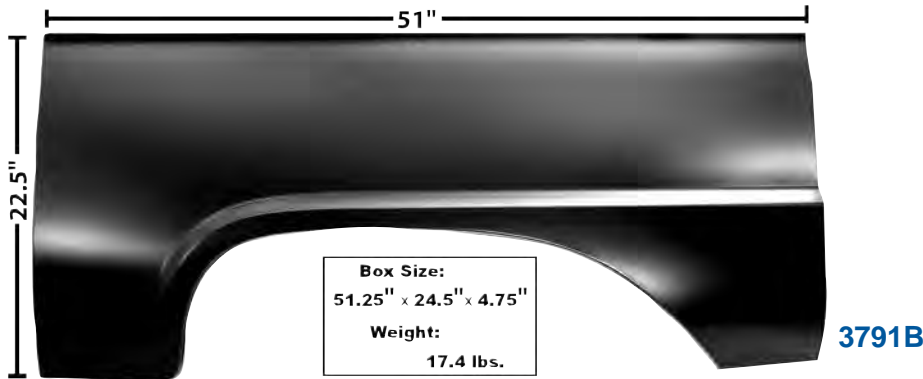
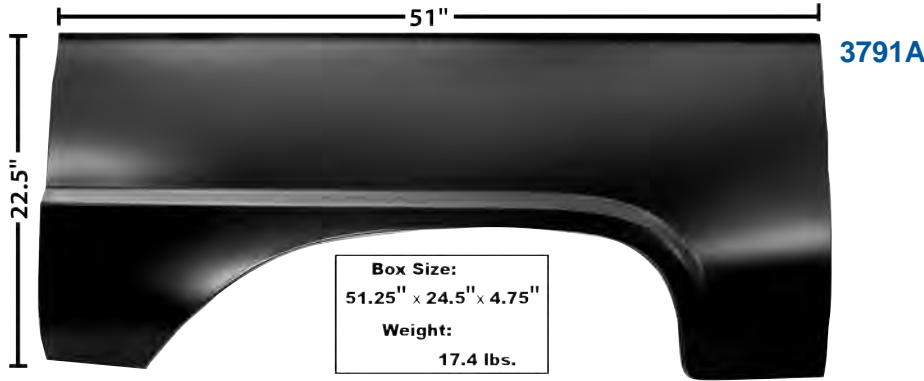


3792	New	1966-67	Quarter/Bed Panel, RH Bronco®	<b>MSRP \$215.00 ea</b>
3793	New	1966-67	Quarter/Bed Panel, LH Bronco®	<b>MSRP \$215.00 ea</b>

Quarter Panels & Components continued on pg. B12...



## Quarter Panels & Components



3791A	New	1966-77	Lower Quarter Panel Skin, RH	Bronco®		<b>MSRP \$112.00 ea</b>
3791B	New	1966-77	Lower Quarter Panel Skin, LH	Bronco®		<b>MSRP \$112.00 ea</b>
3794	New	1966-77	Tail Lamp Panel, RH	Bronco®		<b>MSRP \$92.00 ea</b>
3795	New	1966-77	Tail Lamp Panel, LH	Bronco®		<b>MSRP \$92.00 ea</b>

## Wheelhouses



3780	New	1966-77	Rear Wheelhouse, RH	Bronco®		<b>MSRP \$127.00 ea</b>
3781	New	1966-77	Rear Wheelhouse, LH	Bronco®		<b>MSRP \$127.00 ea</b>

Muscle Car Parts & Molding • Muscle Car Parts & Molding • Muscle Car Parts & Molding





T91

T90	New	1966-70	Fuel Sending Unit, w/o Vapor Tube Bronco®	MSRP \$42.00 ea
T91	New	1970-72	Fuel Sending Unit, w/Vapor Tube Bronco®	MSRP \$42.00 ea



3725	New	1966-77	Grille Bronco®	Coming Soon!
3725A	New	1966-77	Headlamp Bezels, RH=LH Bronco®	Coming Soon!



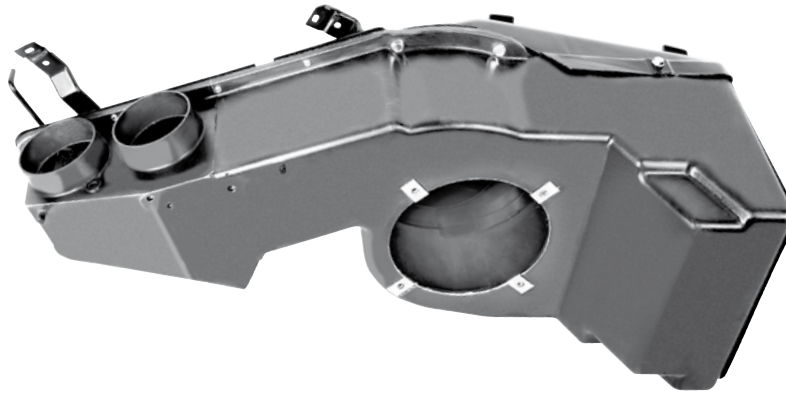
M3524B



M3524E

M3524B		1966	Standard Exterior Mirror, Bronco®	MSRP \$25.00 ea
M3524E		1967	Standard Exterior Mirror W/Gasket, Bronco®	MSRP \$60.00 ea

## Heater Box



3720	New	1966-77	Heater Box	Bronco®	MSRP \$377.00 ea
------	-----	---------	------------	---------	------------------

## Pedal & Shifter Components



3770	New	1966-77	Parking Brake Assembly	Bronco®	Coming Soon!
3789	New	1966-77	Brake/Clutch Pedal Assembly	Bronco®	Coming Soon!
3788	New	1966-77	Accelerator Pedal Assembly	Bronco®	Coming Soon!

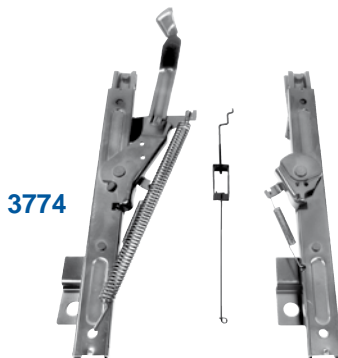
## Rear View Mirror



M3522B	New	1966-67	Rear View Mirror	Bronco®	MSRP \$32.00 ea
M3524A		1968-69	Rear View Mirror Mounting Bracket		MSRP \$19.00 ea



3772	1966-77	Seat Frame Assembly, RH	<b>MSRP \$625.00 ea</b>
3773	1966-77	Seat Frame Assembly, LH	<b>MSRP \$625.00 ea</b>



3774	New	1968-77	Seat Track Assembly, Driver's Side Only	<b>MSRP \$114.00 set</b>
M3638		1966	Seat Side Molding RH (Modify for 1967-69)	<b>MSRP \$17.00 ea</b>
M3639		1966	Seat Side Molding LH (Modify for 1967-69)	<b>MSRP \$17.00 ea</b>

*Seat Belts on pg. B16...*



Seat Belts



**Seat Belts with Push Button:**  
6 colors to choose from

**60 Inch Belts**

SB-N2PB	Seat Belt with Push Button	<b>Black</b>
SB-N2PG	Seat Belt with Push Button	<b>Grey</b>
SB-N2PT	Seat Belt with Push Button	<b>Tan</b>
SB-N2PN	Seat Belt with Push Button	<b>Navy Blue</b>
SB-N2PR	Seat Belt with Push Button	<b>Red</b>
SB-N2PM	Seat Belt with Push Button	<b>Maroon</b>

**MSRP \$25.00 ea**



**Retractable with 12 " Sleeve & 7" Boot**

SB-R2PB	Seat Belt with Push Button	<b>Black</b>
SB-R2PG	Seat Belt with Push Button	<b>Grey</b>
SB-R2PT	Seat Belt with Push Button	<b>Tan</b>
SB-R2PN	Seat Belt with Push Button	<b>Navy Blue</b>
SB-R2PR	Seat Belt with Push Button	<b>Red</b>
SB-R2PM	Seat Belt with Push Button	<b>Maroon</b>

**MSRP \$65.00 ea**



**SB-90BR**

SB-20FLP	20" Webbing Chrome Push Buckle Black. (Chevy Pu Bench Seat)	<b>Black</b>
	<b>MSRP \$15.00 ea</b>	
SB-90BR	90 Degree End Bracket	
	<b>MSRP \$5.00 ea</b>	

*See also Accessory Section for more details...*



**Seat Belts with Lift Latch:**  
10 colors to choose from

**60 Inch Belts**

SB-N2LB	Seat Belt with Lift Latch	<b>Black</b>
SB-N2LG	Seat Belt with Lift Latch	<b>Grey</b>
SB-N2LM	Seat Belt with Lift Latch	<b>Maroon</b>
SB-N2LN	Seat Belt with Lift Latch	<b>Navy Blue</b>
SB-N2LR	Seat Belt with Lift Latch	<b>Red</b>
SB-N2LT	Seat Belt with Lift Latch	<b>Tan</b>

**MSRP \$35.00 ea**



**Retractable with 12 " Sleeve & 7" Boot**

SB-R2LB	Seat Belt with Lift Latch	<b>Black</b>
SB-R2LG	Seat Belt with Lift Latch	<b>Grey</b>
SB-R2LM	Seat Belt with Lift Latch	<b>Maroon</b>
SB-R2LN	Seat Belt with Lift Latch	<b>Navy Blue</b>
SB-R2LR	Seat Belt with Lift Latch	<b>Red</b>
SB-R2LT	Seat Belt with Lift Latch	<b>Tan</b>

**MSRP \$65.00 ea**

**3 Points Retractable Shoulder Belt**



SB-R3LB	Retractable 3 Point Seat Belt with Chrome Latch	<b>Black</b>
SB-R3PB	Retractable 3 Point Seat Belt with Push Button	<b>Black</b>
SB-R3PG	Retractable 3 Point Seat Belt with Push Button	<b>Grey</b>
SB-R3PT	Retractable 3 Point Seat Belt with Push Button	<b>Tan</b>
SB-R3PN	Retractable 3 Point Seat Belt with Push Button	<b>Navy Blue</b>
SB-R3PR	Retractable 3 Point Seat Belt with Push Button	<b>Red</b>
SB-R3PM	Retractable 3 Point Seat Belt with Push Button	<b>Maroon</b>

**MSRP \$120.00 ea**

Muscle Car Parts & Molding • Muscle Car Parts & Molding • Muscle Car Parts & Molding



Ford Oval and Mustang are registered trademarks owned by Ford Motor Company.



ML01



ML02



ML01	1966-67	"Ford" Door Sill Decal, Black	<b>MSRP \$2.00 ea</b>
ML02	1968-77	"Ford" Door Sill Decal, Blue	<b>MSRP \$2.00 ea</b>

M3720



M3720	New	1980-86	Upper Grille Molding, Truck	<b>MSRP \$17.00 ea</b>
M3721	New	1980-86	Lower Grille Molding, Truck	<b>MSRP \$17.00 ea</b>



3699L



3699M



3699L	1967-72	Front Fender, RH Truck	<b>MSRP \$189.00 ea</b>
3699M	1967-72	Front Fender, LH Truck	<b>MSRP \$189.00 ea</b>



Truck Wheel Opening Moldings



M3700



M3702



M3701



M3703

M3700	New	1973-79	Wheel Opening Molding, Front RH, Truck	MSRP \$22.00 ea
M3701	New	1973-79	Wheel Opening Molding, Front LH, Truck	MSRP \$22.00 ea
M3702	New	1973-79	Wheel Opening Molding, Rear RH, Truck	MSRP \$22.00 ea
M3703	New	1973-79	Wheel Opening Molding, Rear LH, Truck	MSRP \$22.00 ea



M3704



M3706



M3705



M3707

M3704	New	1980-86	Wheel Opening Molding, Front RH, Truck	MSRP \$22.00 ea
M3705	New	1980-86	Wheel Opening Molding, Front LH, Truck	MSRP \$22.00 ea
M3706	New	1980-86	Wheel Opening Molding, Rear RH, Truck	MSRP \$22.00 ea
M3707	New	1980-86	Wheel Opening Molding, Rear LH, Truck	MSRP \$22.00 ea



M3708



M3710



M3709



M3711

M3708	New	1987-96	Wheel Opening Molding, Front RH, Truck	MSRP \$22.00 ea
M3709	New	1987-96	Wheel Opening Molding, Front LH, Truck	MSRP \$22.00 ea
M3710	New	1987-96	Wheel Opening Molding, Rear RH, Truck	MSRP \$22.00 ea
M3711	New	1987-96	Wheel Opening Molding, Rear LH, Truck	MSRP \$22.00 ea

Muscle Car Parts & Molding • Muscle Car Parts & Molding • Muscle Car Parts & Molding